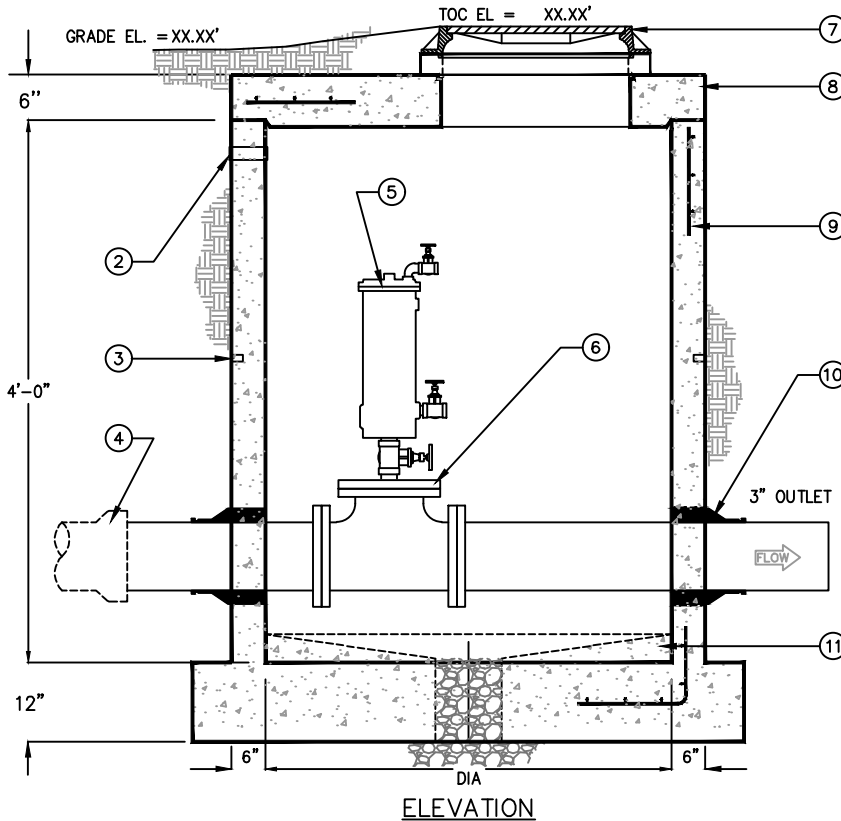


| MODEL | MAX FORCE MAIN DIA | DIA |
|-------|--------------------|-------|
| ARV-5 | 8" | 5'-0" |
| ARV-6 | 16" | 6'-0" |
| ARV-8 | 36" | 8'-0" |



| KEYED NOTES | | |
|-------------|-----|--|
| MARK | QTY | DESCRIPTION |
| 1 | 1 | NAMEPLATE INDICATING: MFG: PARKUSA 888-611-PARK WWW.PARKUSA.COM MODEL: ARV-2 DATE MANUFACTURED |
| 2 | 1 | 2" PVC CONDUIT ELECTRIC SLEEVE |
| 3 | 1 | LIFTING LUGS AS REQUIRED |
| 4 | 1 | TYPICAL PIPE BY OTHERS |
| 5 | 1 | AIR/VACUUM RELEASE VALVE |
| 6 | 1 | DIP REDUCING FLANGE FOR AIR VALVES SMALLER THAN 4" |
| 7 | 1 | 32" DIA CAST IRON FRAME AND COVER |
| 8 | 1 | PRECAST CONCRETE SLAB TOP SEALED W/ PLASTIC FLEXIBLE GASKET MATERIAL |
| 9 | 1 | #4 REBAR @ 12" O.C.E.W. (1) MAT FOR TOP SLAB BAR BENDING & PLACEMENT SHALL COMPLY W/ LATEST ACI STANDARDS |
| 10 | 1 | RESILIENT PIPE CONNECTION PER ASTM-C923 (TYP-2) |
| 11 | 1 | GROUT SLOPE TO DRAIN |

SPECIFICATIONS

CONCRETE: DESIGN STRENGTH OF 4500 PSI AT 28 DAYS. UNIT IS OF MONOLITHIC CONSTRUCTION AT FLOOR, FIRST STAGE OF WALL AND BAFFLE WITH SECTIONAL RISER TO REQUIRED DEPTH.

REINFORCEMENT: GRADE 60 REINFORCED WITH STEEL REBAR CONFORMING TO ASTM A615 ON REQUIRED CENTERS OR EQUAL. STRUCTURAL DESIGN IS BASED ON AASHTO HS-20 LOADING.

C.I. CASTINGS: MANHOLE FRAMES, COVERS OR GRATES ARE MANUFACTURED OF GREY CAST IRON CONFORMING TO ASTM A48-76 CLASS 35. MANHOLE SHALL HAVE 24 INCH INSIDE DIAMETER AND BE TRAFFIC DUTY.

ENGINEERING DATA

MANHOLE STATION IS STRUCTURALLY AND HYDRAULICALLY ENGINEERED CONFORMING TO UNIFORM PLUMBING CODE AND ASTM C-478.

FIELD EXCAVATION AND PREPARATION SHALL BE COMPLETED PRIOR TO DELIVERY OF THE SEPTIC TANK. USE DIMENSIONAL DATA AS SHOWN.

CONTRACTOR TO FIELD VERIFY ALL ELEVATIONS.



© ParkUSA. ALL RIGHTS RESERVED.



AIR RELIEF VALVE ASSEMBLY
MODEL ARV

| PM | PC | DRN | ENG | DWG. NO. | REV. |
|--------------|----|-----|-----|----------|------|
| . | . | . | . | ARV-1 | A |
| DATE 03/2023 | | | | | |

PLOTTED ON 5/15/2023 9:09 AM BY Howerton, Chris, Y:\Parkdesign\Website 2022 - NEED TO GO\ARV-2