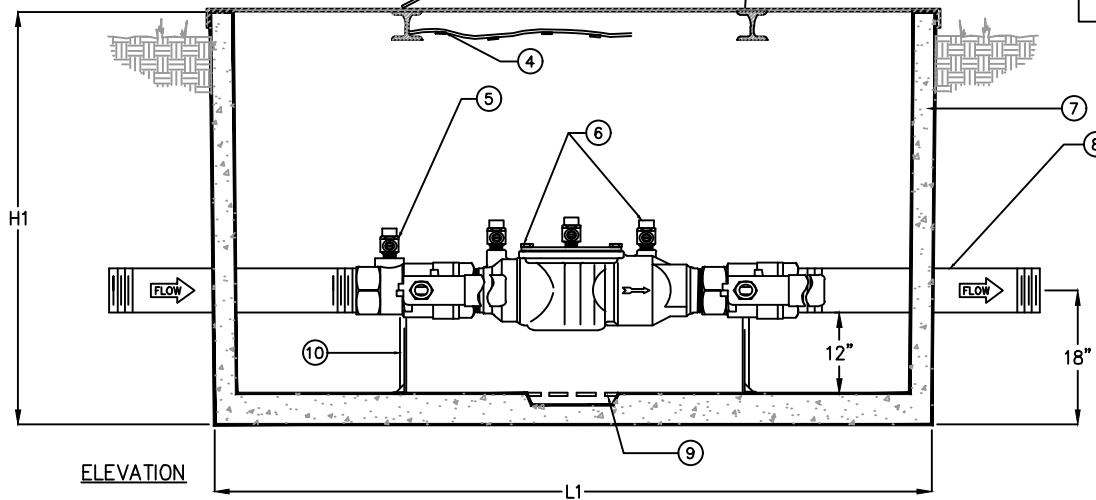


PLAN VIEW

| MODEL  | SIZE   | L1    | W1    | H1    | WEIGHT |
|--------|--------|-------|-------|-------|--------|
| BP-034 | 3/4"   | 4'-0" | 3'-0" | 4'-0" | 2,300  |
| BP-100 | 1"     | 4'-0" | 3'-0" | 4'-0" | 2,350  |
| BP-125 | 1-1/4" | 4'-0" | 3'-0" | 4'-0" | 2,400  |
| BP-150 | 1-1/2" | 4'-0" | 3'-0" | 4'-0" | 2,450  |
| BP-200 | 2"     | 4'-0" | 3'-0" | 4'-0" | 2,500  |

| KEYED NOTES |     |   |
|-------------|-----|---|
| MARK        | QTY | DESCRIPTION   |
| 1           | 1   | DROP HANDLE   |
| 2           | 1   | NAMEPLATE INDICATING:<br>MFG: PARKUSA<br>888-611-PARK<br>WWW.PARKUSA.COM<br>MODEL: BP 3/4 -2<br>DATE MANUFACTURED |
| 3           | 1   | ALUMINUM DIAMOND<br>PLATE COVER WITH<br>HINGED ACCESS COVER<br>PEDESTRIAN RATED                                   |
| 4           | 1   | SAFETY NET  |
| 5           | 1   | SHUT-OFF VALVE (TYP.)   |
| 6           | 1   | CERTIFIED U.L. BACKFLOW<br>PREVENTER  |
| 7           | 1   | PRECAST CONCRETE<br>VAULT   |
| 8           | 1   | GALVANIZED PIPING<br>STUB-OUT (TYP.)  |
| 9           | 1   | 12" x 12" SUMP WITH<br>CAST IRON GRATE  |
| 10          | 1   | GALVANIZED STEEL<br>SUPPORT (TYP.)  |



ELEVATION

### Specifications

**CONCRETE:** Class I/II concrete with design strength of 4500 PSI at 28 days. Unit is of monolithic construction at floor and first stage of wall with sectional riser to required depth.

**REINFORCEMENT:** Grade 60 reinforced. Steel rebar conforming to ASTM A615 on required centers or equal.

**ACCESS COVER:** 1/4" skid-resistant aluminum floor plate welded to 3" angle frame with (2) 3"x2-3/8" I-beam supports. Hatch to be furnished with 316 stainless steel bolts and hinges

### Engineering Data

The backflow assembly shall be factory assembled in vault & hydrostatically tested prior to delivery. Field excavation & preparation shall be complete prior to delivery. Pipe, valves and fittings of the assembly shall be approved by one or more of the following associations:



© ParkUSA. ALL RIGHTS RESERVED.



DOUBLE CHECK BACKFLOW PREVENTER  
ASSEMBLY MODEL BP - 3/4" THRU 2"

| PM           | PC | DRN | ENG | DWG. NO. | REV. |
|--------------|----|-----|-----|----------|------|
| .            | .  | .   | .   | BP-3/4-2 | A    |
| DATE 03/2023 |    |     |     |          |      |

PLOTTED ON 5/19/2023 12:46 PM BY: Howerton, Chris Y. Paridreaga Website 2023 - NEED TO GC/BP/BP34-2-NEW