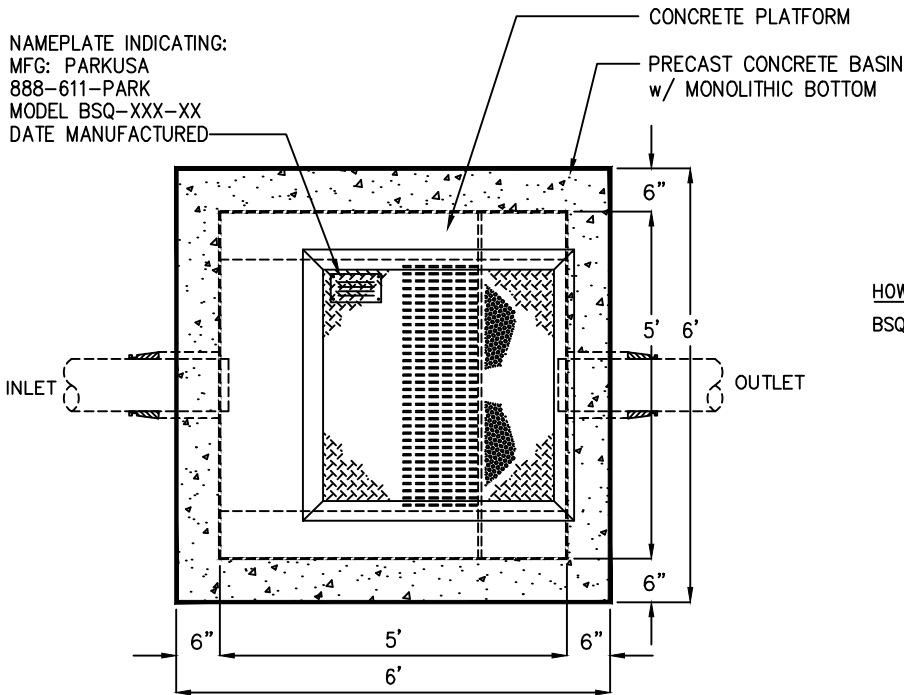


ELEVATION



PLAN VIEW

HOW TO SPECIFY BY MODEL NUMBER:

BSQ-XXX-XX

LINER OPTIONS

- [S]-NO EXTERIOR LINER
- [B]-BUTUMASTIC EXTERIOR LINER
- [E]-EPOXY EXTERIOR LINER
- [S]-NO INTERIOR LINER
- [E]-EPOXY INTERIOR LINER
- [F]-FIBERGLASS INTERIOR LINER

HATCHWAY OPTIONS

- [S]-STD HATCHWAY
- [W]-WATERPROOF HATCHWAY
- [P]-PEDISTRIAN DUTY HATCHWAY
- [H]-TRAFFIC DUTY HATCHWAY

BAR SCREEN ASSEMBLY OPTIONS

- [G]-GALVANIZED STEEL SCREEN ASSEMBLY
- [S]-STAINLESS STEEL SCREEN ASSEMBLY

© ParkUSA. ALL RIGHTS RESERVED.

SPECIFICATIONS

- CONCRETE:** CLASS I/II CONCRETE WITH OF DESIGN STRENGTH OF 4500 PSI AT 28 DAYS. UNIT IS OF MONOLITHIC CONSTRUCTION AT FLOOR AND FIRST STAGE OF WALL WITH SECTIONAL RISER TO REQUIRED DEPTH.
REINFORCEMENT: GRADE 60 REINFORCED. STEEL REBAR CONFORMING TO ASTM A615 ON REQUIRED CENTERS OR EQUAL.
HATCHWAY: HATCHWAY IS OF ALUMINUM SKID-RESISTANT FLOOR PLATE, EXTRUDED ALUMINUM FRAME W/ CONTINUOUS CONCRETE ANCHOR AND DOOR SEAT, STAINLESS STEEL HINGES AND TAMPERPROOF BOLTING.



BAR SCREEN ASSEMBLY
MODEL BSQ

PM	PC	DRN	ENG	DWG. NO.	REV.
				BSQ-1.	A
DATE				2023	

PLOTTED ON 4/19/2024 3:12 PM BY Mr. Kette C. Users\jvu\Desktop\File replacement website\BSQ-1

CREATED ON 4/19/2024 BY LAST MODIFIED ON 4/19/2024 3:12 PM BY KVV