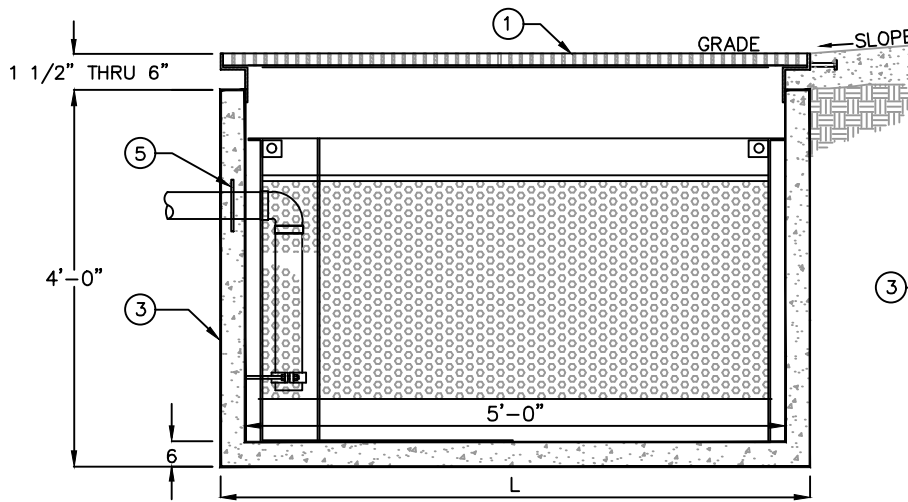


ISOMETRIC VIEW

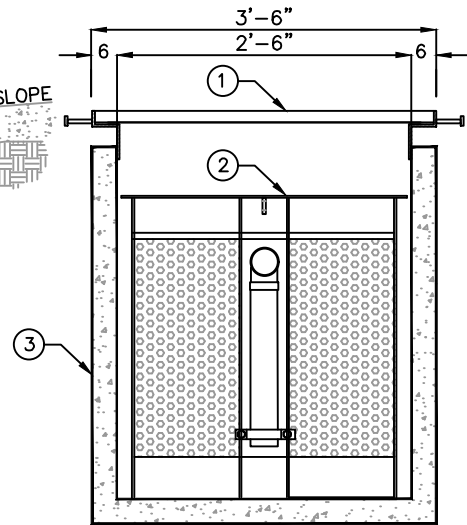
KEYED NOTES		
MARK	QTY	DESCRIPTION
1	1	GALV BAR GRATE WITH STEEL FRAME, (H-20 TRAFFIC LOAD RATING)
2	1	OPTIONAL: GALV STEEL PERFORATED MUD BASKET W/FRAME, STRUCTURALLY CONSTRUCTED SO THAT CAN BE REMOVED FILLED W/ MUD
3	1	PRECAST CONCRETE BASIN SECTION
4	1	OUTLET PIPE SLEEVE
5	1	WATER STOP
6	1	NAMEPLATE MFG: PARKUSA 888-611-PARK WWW.PARKUSA.COM MODEL: CWCBB-1



NAME PLATE



FRONT VIEW



SIDE VIEW

SPECIFICATIONS

CONCRETE : CLASS 1/II CONCRETE WITH OF DESIGN STRENGTH OF 4500 PSI AT 28 DAYS. UNIT IS OF MONOLITHIC CONSTRUCTION AT FLOOR AND FIRST STAGE OF WALL WITH SECTIONAL RISER TO REQUIRED DEPTH. RATED FOR H-20 LOADING.

REINFORCEMENT: GRADE 60 REINFORCED WITH STEEL REBAR TO CONFORM TO ASTM A615 ON REQUIRED CENTERS OR EQUAL.

GRATING: ALL STEEL FABRICATION SHALL BE IN ACCORDANCE TO AWA D1.1. STEEL SHALL BE ASTM A36 CARBON STEEL, AND HOT-DIPPED GALVANIZED AFTER FABRICATION IN ACCORDANCE TO ASTM A123

© ParkUSA. ALL RIGHTS RESERVED.



CATCH BASIN WITH MUD BASKET

PM	PC	DRN	ENG	DWG. NO.	REV.
				CWCBB-1	A
DATE				2023	



PLOTTED ON 4/22/2024 12:11 PM BY Vu, Kates, D:\File replacement website\CWCBB-1