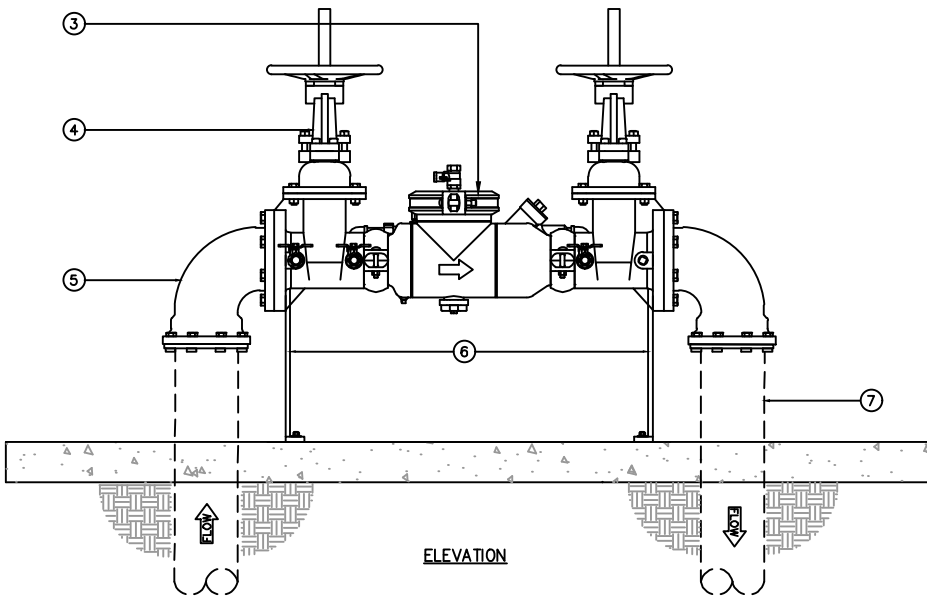


MODEL	SIZE	L1	W1
DDBP-PAD-3	3"	94"	52"
DDBP-PAD-4	4"	94"	52"
DDBP-PAD-6	6"	120"	60"
DDBP-PAD-8	8"	120"	60"
DDBP-PAD-10	10"	132"	60"

KEYED NOTES		
MARK	QTY	DESCRIPTION
1	1	3/4" DETECTOR METER w/ 2 SHUT-OFF VALVES AND BACKFLOW PREVENTER AND REGISTER
2	1	PRECAST CONCRETE SLAB w/ LIFTING EYES
3	1	DOUBLE DETECTOR CHECK BACKFLOW PREVENTER BRAND MAY VARY
4	1	NRS OR OS&Y GATE VALVE
5	1	CAST IRON MJ & FL ELLS
6	1	STEEL SUPPORTS BOLTED TO SLAB (TYP-2)
7	1	PIPING FURNISHED BY OTHERS (TYP.)

PLAN VIEW



ELEVATION

SPECIFICATIONS

CONCRETE: CLASS I/II CONCRETE WITH DESIGN STRENGTH OF 4500 PSI AT 28 DAYS.

REINFORCEMENT: GRADE 60 REINFORCED. STEEL REBAR CONFORMING TO ASTM A615 ON REQUIRED CENTERS OR EQUAL.

TYPICAL APPLICATIONS

RP DEVICES ARE USED TO PROTECT AGAINST HIGH HAZARD (TOXIC) FLUIDS IN WATER SERVICES TO INDUSTRIAL PLANTS, HOSPITAL FACILITIES, MORGUES, MORTUARIES, AND CHEMICAL PLANTS. THEY ARE ALSO USED IN IRRIGATION SYSTEMS, BOILER FEED, WATER LINES AND OTHER INSTALLATIONS REQUIRING MAXIMUM PROTECTION.

ENGINEERING DATA

FIELD EXCAVATION AND PREPARATION SHALL BE COMPLETED PRIOR TO DELIVERY OF ASSEMBLY. USE DIMENSIONAL DATA AS SHOWN. PIPE, VALVES AND FITTINGS OF THE ASSEMBLY ARE APPROVED BY ONE OR MORE OF THE FOLLOWING ASSOCIATIONS:



© ParkUSA. ALL RIGHTS RESERVED.



DOUBLE DETECTOR BACKFLOW PREVENTER ON PRECAST CONCRETE PAD

PM	PC	DRN	ENG	DWG. NO.	REV.
				DDBP-1-PAD	A
DATE				04/2023	

PLOTTED ON 5/23/2023 12:23 PM BY Howerton, Chris. Y:\Parkusa\Webalte 2022 - NEED TO GO\DDBP-PAD