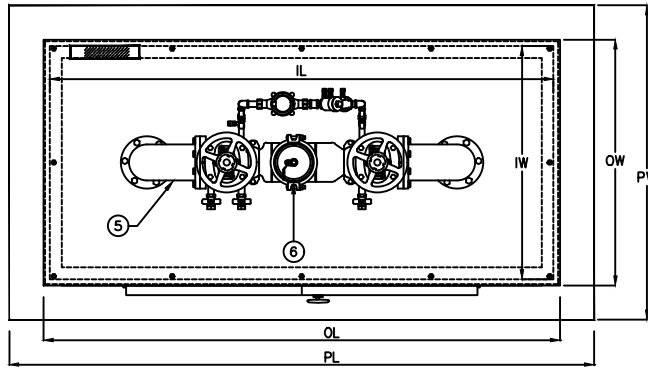


MOUNTING DETAIL

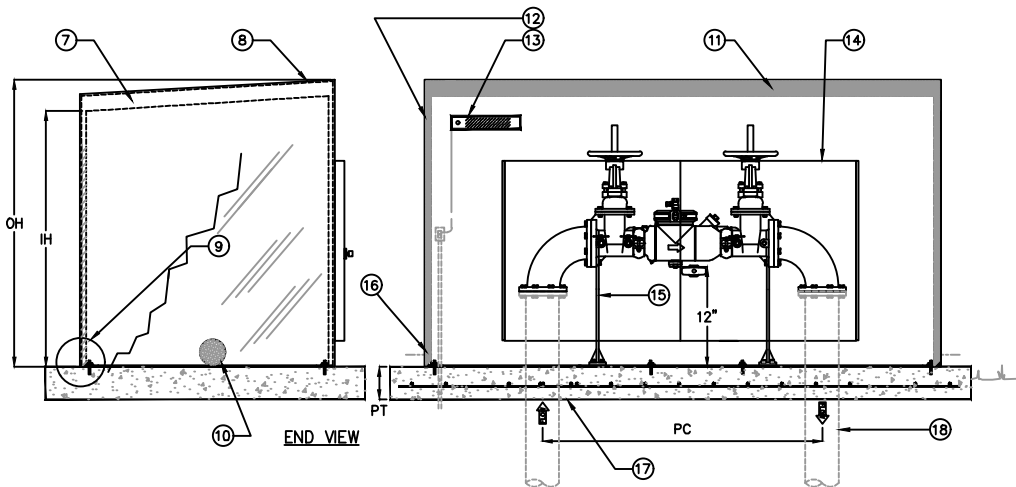


TOP VIEW

MODEL NO.	BFP SIZE	INSIDE DIMENSIONS			OUTSIDE DIMENSIONS			DOOR SIZE		PAD DIMENSIONS			"PC" PIPE CENTERS
		IL	IW	IH	OL	OW	OH	DH	DW	PL	PW	PT	
DDBPAE-03	3"	86"	26"	44"	89"	29"	47"	28 1/4"	44"	100"	40"	6"	43"
DDBPAE-04	4"	86"	26"	44"	89"	29"	47"	28 1/4"	44"	100"	40"	6"	50 3/4"
DDBPAE-06	6"	97"	33"	61"	100"	36"	64"	38 1/4"	64"	114"	50"	6"	60 3/4"
DDBPAE-08	8"	97"	33"	61"	100"	36"	64"	38 1/4"	64"	114"	50"	6"	78 3/4"
DDBPAE-10	10"	122"	38"	64"	125"	41"	67"	38 1/4"	64"	134"	52"	6"	85 3/4"
DDBPAE-12	12"	122"	38"	64"	125"	41"	67"	38 1/4"	64"	134"	52"	6"	85 3/4"

NOTE: SIZE MAY VARY DEPENDING ON MODEL OF BACKFLOW PREVENTER

KEYED NOTES		
MARK	QTY	DESCRIPTION
1	1	EXTERIOR ALUMINUM SKIN
2	1	INTERNAL INSULATION 1.5" IN WALLS, 3" @ TOP
3	1	SECURE TO CONCRETE BASE w/ 3/8" GALVANIZED STEEL ANCHOR BOLTS
4	1	PRECAST CONCRETE BASE
5	1	CAST IRON MJ x FL ELLS
6	1	DOUBLE DETECTOR CHECK BACKFLOW PREVENTER
7	1	HIGH PERFORMANCE INSULATION
8	1	TOP TO BE SLOPED TO SHED WATER
9	1	RE: DETAIL
10	1	3" DIA DRAIN HOLE w/ ALUMINUM SCREEN (ON EACH END)
11	1	3" INSULATION
12	1	1-1/2" INSULATION
13	1	SURFACE MOUNTED UTILITY HEATER HT500 (OPTIONAL)
14	1	DH" TALL x DW" WIDE HINGED ACCESS DOOR DUAL LEAF w/ KEYLOCK
15	1	STEEL SUPPORTS BOLTED TO SLAB (TYP-2)
16	1	DRAIN (TYP.-4)
17	1	PRECAST CONCRETE PAD w/ LIFTING DEVICES
18	1	PIPING FURNISHED BY OTHERS (TYP.)



SIDE VIEW

Specifications

GENERAL

THE MODEL ERP ALUMINUM ENCLOSURE IS PRE ENGINEERED TO PROVIDE PROTECTION TO BACKFLOW PREVENTERS, METERS, PUMPS, AND OTHER DEVICES INSTALLED ABOVE GROUND. THESE WATER CONVEYING DEVICES ARE SUBJECT TO FREEZING AND VANDALISM. THE ENCLOSURE IS DESIGNED TO BE INSTALLED OVER THE EQUIPMENT AFTER INSTALLATION. THE ENCLOSURE IS EQUIPPED WITH ACCESS DOORS TO PROVIDE ADEQUATE ACCESS TO THE EQUIPMENT.

CONSTRUCTION

THE ENCLOSURE SHALL BE MANUFACTURED FROM ALL NEW MATERIALS. THE EXTERIOR SHALL BE FABRICATED WITH 0.090 ALUMINUM, CONTINUOUSLY WELDED. THE ACCESS DOOR(S) SHALL BE OF LIKE MATERIAL AND HINGED WITH A CONTINUOUS HINGE. THE DOOR SHALL BE EQUIPPED WITH A 3-POINT LOCKING MECHANISM. THE INTERIOR OF THE ENCLOSURE SHALL BE STRUCTURALLY LINED WITH HIGH PERFORMANCE, NON-WICKING INSULATION.

HEATER

INTERIOR HEATERS (IF REQUIRED) SHALL BE THERMOSTATICALLY CONTROLLED AND BE MOUNTED TO THE INTERIOR WALL OF THE ENCLOSURE. A GFI RECEPTACLE SHALL BE PROVIDED BY OTHERS TO PROVIDE POWER TO THE ELECTRIC HEATER.

© ParkUSA. ALL RIGHTS RESERVED.



WEATHERPROOF ENCLOSURE FOR DOUBLE DETECTOR BACKFLOW PREVENTER

PM	PC	DRN	ENG	DWG. NO.	REV.
				DDBPAE-1	A
DATE				2023	

CREATED ON 4/4/2023 BY --- LAST MODIFIED ON 4/4/2023 12:02 PM BY shawnton

PLOTTED ON 5/23/2023 11:25 AM BY Howerton, Chris Y:\Parduega\Website 2022 - NEED TO GC\DDBPAE-1-1-1\WILKINS