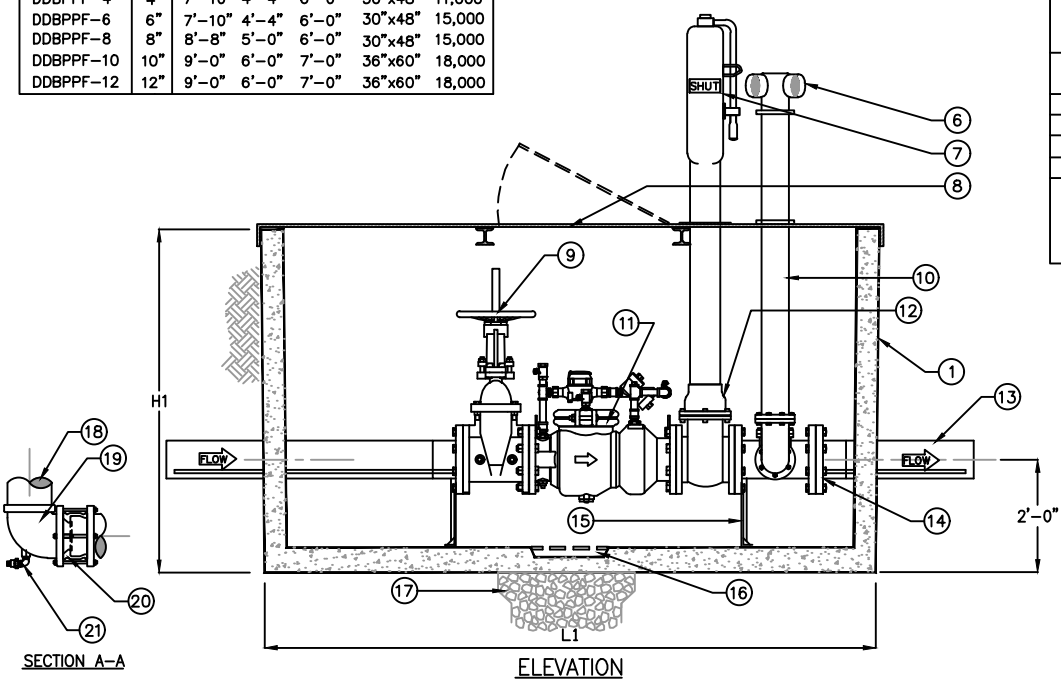


KEYED NOTES		
MARK	QTY	DESCRIPTION
1	1	PRECAST CONCRETE VAULT
2	1	3/4" DETECTOR METER w/ 2 SHUT-OFFS VALVES AND BACKFLOW PREVENTER
3	1	PIV
4	1	GALVANIZED ALL-THREAD RETAINER ROD (TYP)
5	1	U.L. CHECK VALVE W/ BALL DRIP
6	1	FIRE DEPARTMENT CONN. (OPTIONAL)
7	1	ADJUSTABLE TYPE INDICATOR POST
8	1	ALUMINUM SKID-RESISTANT COVER w/ 24"x32" HINGED MANWAY (DDBPF-12 COVER IS GALV STEEL)
9	1	OS&Y GATE VALVE (TYP 2)
10	1	FDC RISER
11	1	U.S.C. CERTIFIED U.L. BACKFLOW PREVENTER
12	1	POST INDICATOR VALVE
13	1	DUCTILE IRON STUB-OUT (TYPICAL)
14	1	HARD FLANGE (TYP)
15	1	GALVANIZED ANGLE PIPE SUPPORT (TYP)
16	1	12"x12" SUMP WITH CAST IRON GRATE. THIN WALL BOTTOM CAN BE KNOCKED OUT TO ACCOMODATE DRAIN TO GRAVEL BED.
17	1	GRAVEL BED (FURNISHED BY OTHERS)
18	1	FDC RISER
19	1	FLG x FPT 90° ELL
20	1	UL/FM WAFER CHECK VALVE
21	1	BALL DRIP
22	1	NAMEPLATE INDICATING: MFG: PARKUSA 888-611-PARK MODEL: DDBPPF-1 DATE MANUFACTURED

MODEL	SIZE	L1	WI	H1	ALUMINUM HATCHWAY	WEIGHT LBS
DDBPPF-3	3"	7'-10"	4'-4"	6'-0"	30"x48"	11,000
DDBPPF-4	4"	7'-10"	4'-4"	6'-0"	30"x48"	11,000
DDBPPF-6	6"	7'-10"	4'-4"	6'-0"	30"x48"	15,000
DDBPPF-8	8"	8'-8"	5'-0"	6'-0"	30"x48"	15,000
DDBPPF-10	10"	9'-0"	6'-0"	7'-0"	36"x60"	18,000
DDBPPF-12	12"	9'-0"	6'-0"	7'-0"	36"x60"	18,000



SPECIFICATIONS

CONCRETE: CLASS I/II CONCRETE WITH DESIGN STRENGTH OF 4500 PSI AT 28 DAYS. UNIT IS OF MONOLITHIC CONSTRUCTION AT FLOOR AND FIRST STAGE OF WALL WITH SECTIONAL RISER TO REQUIRED DEPTH.

REINFORCEMENT: GRADE 60 REINFORCED. STEEL REBAR CONFORMING TO ASTM A615 ON REQUIRED CENTERS OR EQUAL.

HATCHWAY: 1/4" ALUMINUM DIAMOND PLATE COVER WITH EXTRUDED ALUMINUM FRAME. HATCH TO BE FURNISHED WITH 316 STAINLESS STEEL SNAP LOCK & BRASS HINGES.

ENGINEERING DATA

FIELD EXCAVATION AND PREPARATION SHALL BE COMPLETED PRIOR TO DELIVERY OF ASSEMBLY. USE DIMENSIONAL DATA AS SHOWN. PIPE, VALVES AND FITTINGS OF THE ASSEMBLY ARE APPROVED BY ONE OR MORE OF THE FOLLOWING ASSOCIATIONS:



© ParkUSA. ALL RIGHTS RESERVED.



3" THRU 12" DOUBLE DETECTOR BACKFLOW PREVENTER ASSEMBLY W/ PIV & FDC

PM	PC	DRN	ENG	DWG. NO.	REV.
		CC			
DATE 03/2023				DDBPPF-1	A

CREATED ON 3/27/2023 BY ... LAST MODIFIED ON 3/27/2023 2:50 PM BY chowerton

PLOTTED ON 5/24/2023 3:27 PM BY Howerton, Chris, Y:\Peridwgn\Website 2022 - NEED TO CC\DDBPPF-1\DDBPPF-1-AL-WILKINS