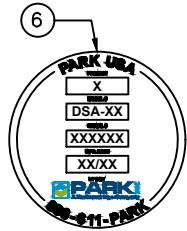
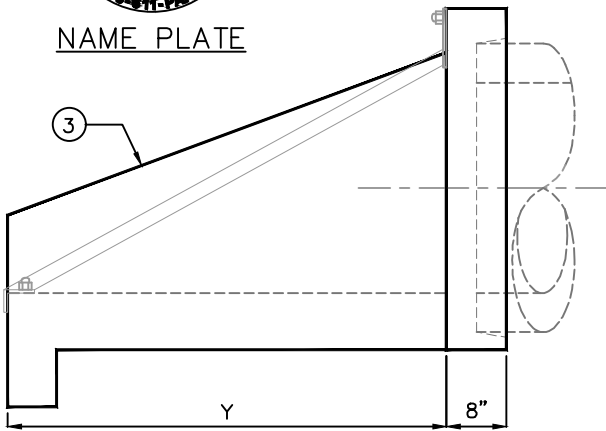


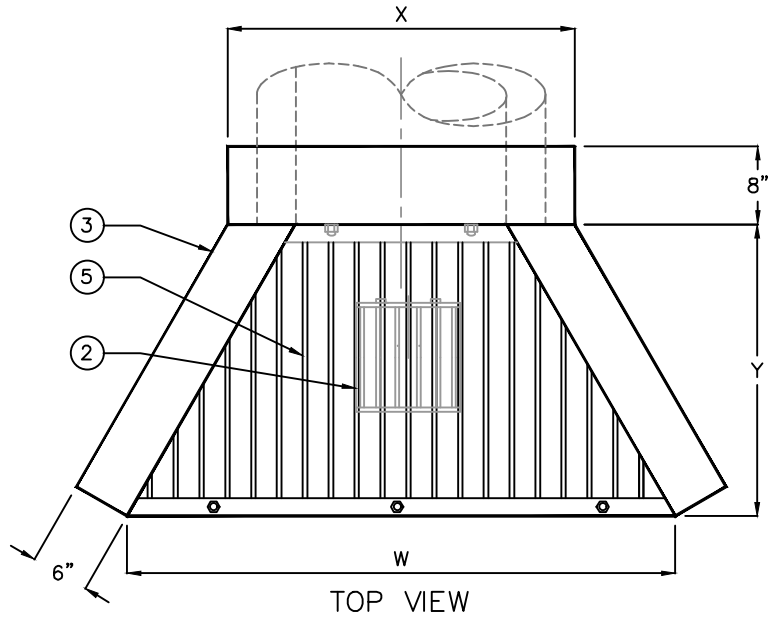
APPLICATION



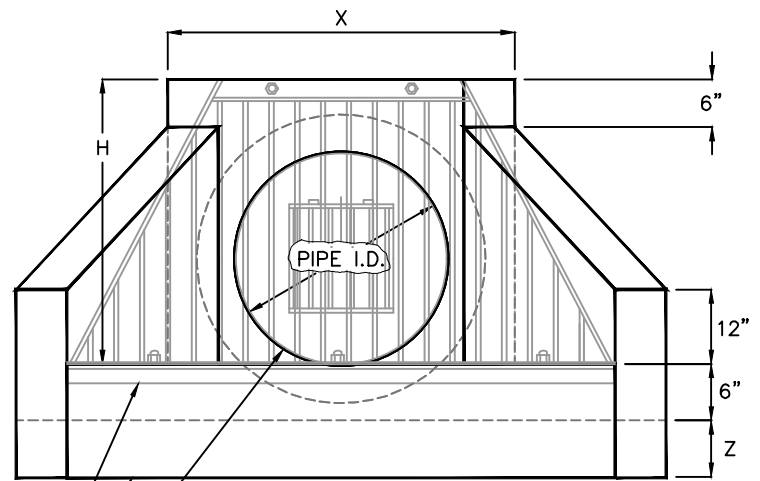
NAME PLATE



SIDE VIEW



TOP VIEW



FRONT VIEW

KEYED NOTES		
MARK	QTY	DESCRIPTION
1	1	1 1/2" x 1 1/2" x 1/4" GALVANIZED ANGLE BOLTED TO CONCRETE WITH 1/2" ANCHOR BOLTS
2	1	12" x 12" HINGED CLEAN OUT GRATE
3	1	PRECAST CONCRETE HEADWALL
4	1	BLOCKOUT HOLE FOR PIPE
5	1	GALVANIZED STEEL DEBRIS GRATE, 1 1/2" x 3/8" BARS @ 2" O.C., 1" CLEAR OPENING
6	1	NAMEPLATE PARKUSA 888-611-PARK WWW.PARKUSA.COM MODEL DSA-1

MODEL	PIPE DIA	DIMENSIONS					WEIGHT (LBS)
		H	W	X	Y	Z	
DSA-12	12"	2'-6"	4'-3"	3'-0"	2'-0"	-	2,700
DSA-15	15"	2'-6"	4'-3"	3'-0"	2'-0"	-	2,700
DSA-18	18"	2'-6"	4'-3"	3'-0"	2'-0"	-	2,600
DSA-21	21"	3'-0"	5'-10"	3'-2"	3'-0"	-	4,300
DSA-24	24"	3'-0"	5'-10"	3'-2"	3'-0"	-	4,200
DSA-30	30"	3'-6"	7'-6"	4'-1"	4'-0"	9"	6,200
DSA-36	36"	4'-1"	9'-3"	4'-8"	5'-0"	9"	8,100
DSA-42	42"	4'-11"	12'-6"	5'-10"	6'-0"	12"	11,000
DSA-48	48"	4'-11"	12'-6"	5'-10"	6'-0"	12"	11,000

© ParkUSA. ALL RIGHTS RESERVED.

SPECIFICATIONS

- CONCRETE:** Class I/II concrete with of design strength of 4500 PSI at 28 days. Unit is of monolithic construction including walls and floor.
- REINFORCEMENT:** Grade 60 reinforced. No. 4 steel rebar to conform to ASTM A615 on required centers or equal. Bar bending and placement shall with the latest ACI standards.
- GRATING:** All steel fabrication shall be in accordance to AWA D1.1. Steel shall be ASTM A36 carbon steel, and hot-dipped galvanized after fabrication in accordance to ASTM A123



DRAINAGE EXIT STRUCTURE
MODEL DSA 12" THRU 48"

PM	PC	DRN	ENG	DWG. NO.	REV.
				DSA-1	A
DATE				2023	

PLOTTED ON 4/22/2024 12:08 PM BY Vu, Kate, D:\File replacement, webalta\DSA-1