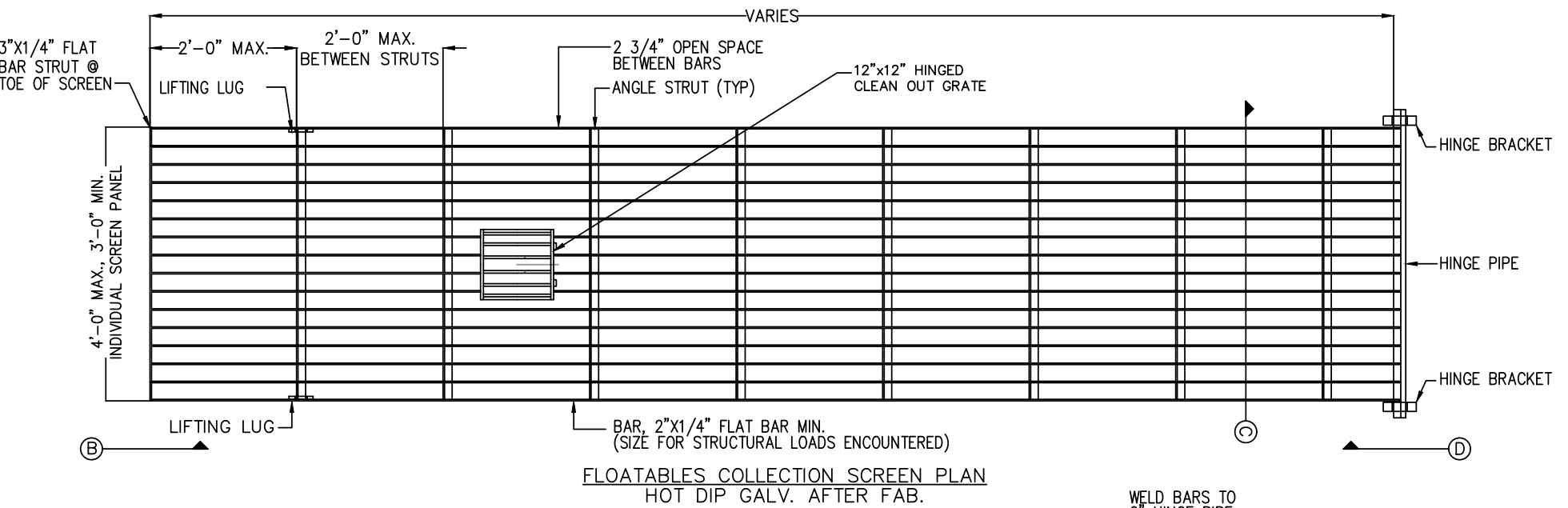
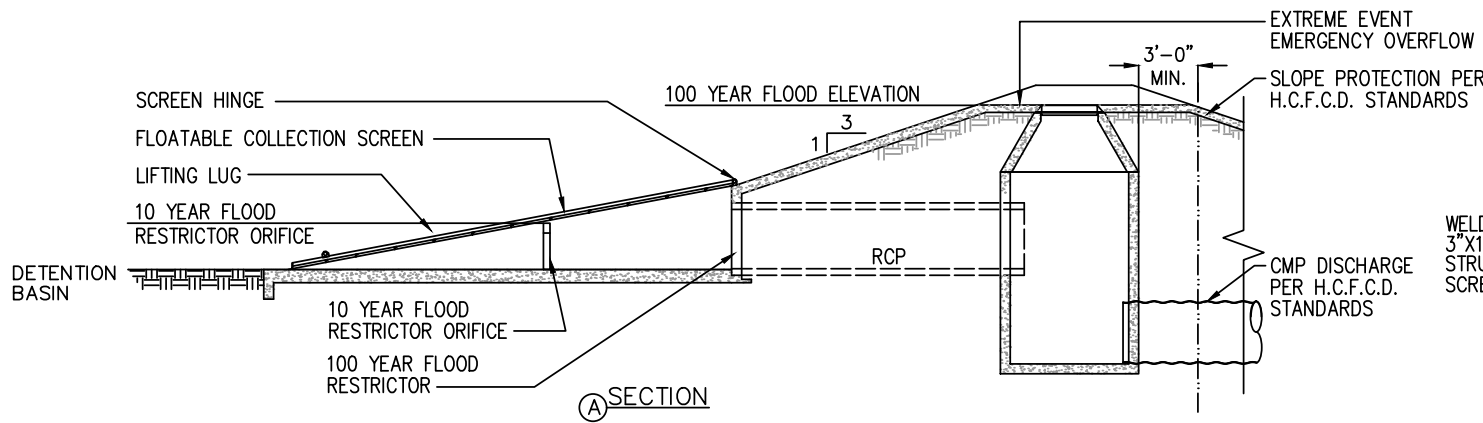


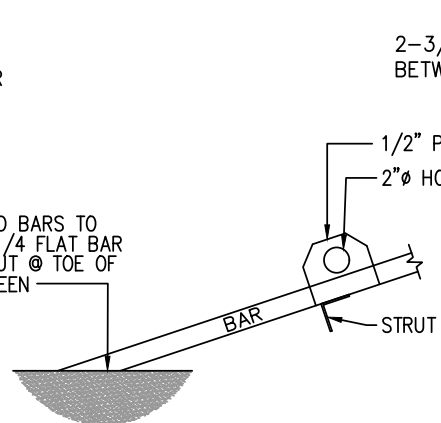
PLAN



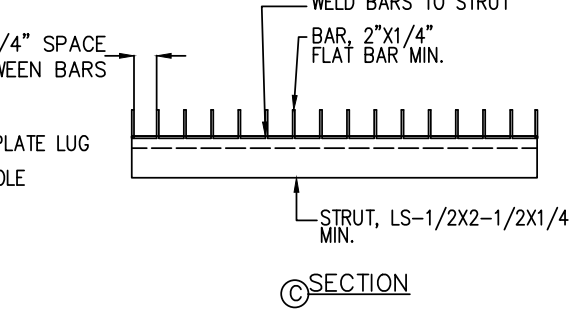
FLOATABLES COLLECTION SCREEN PLAN
HOT DIP GALV. AFTER FAB.



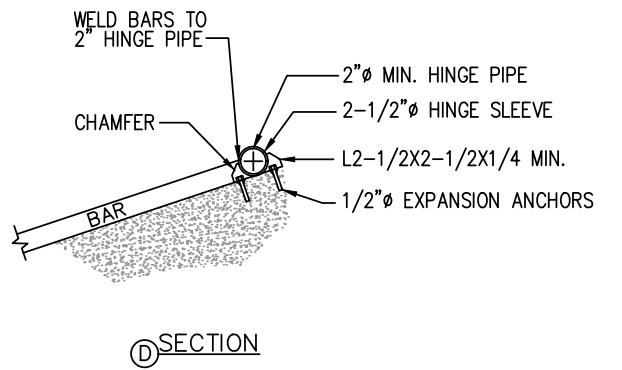
SECTION A



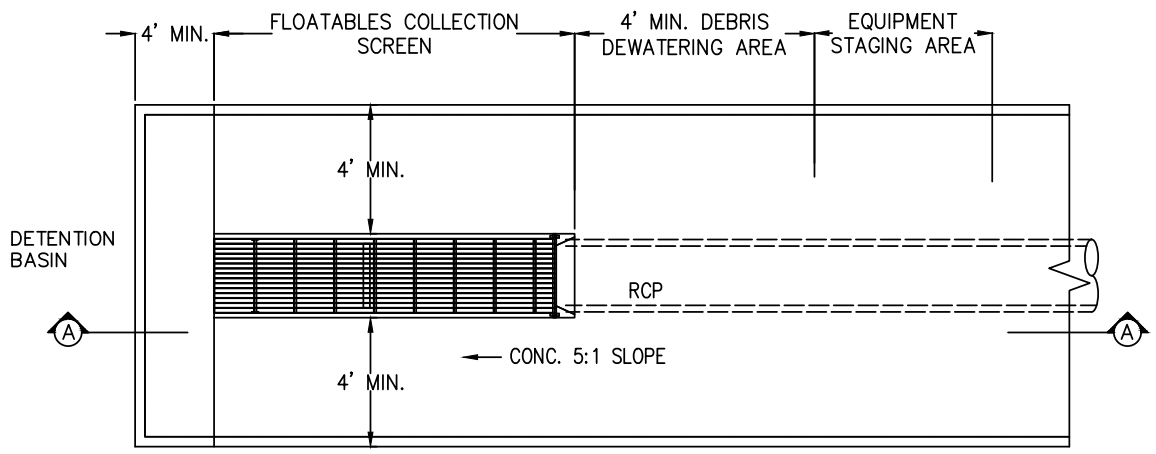
SECTION B



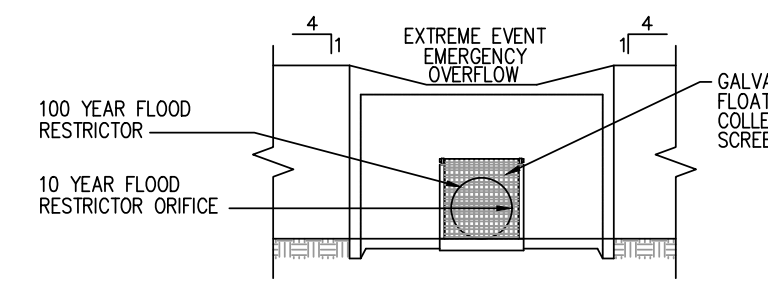
SECTION C



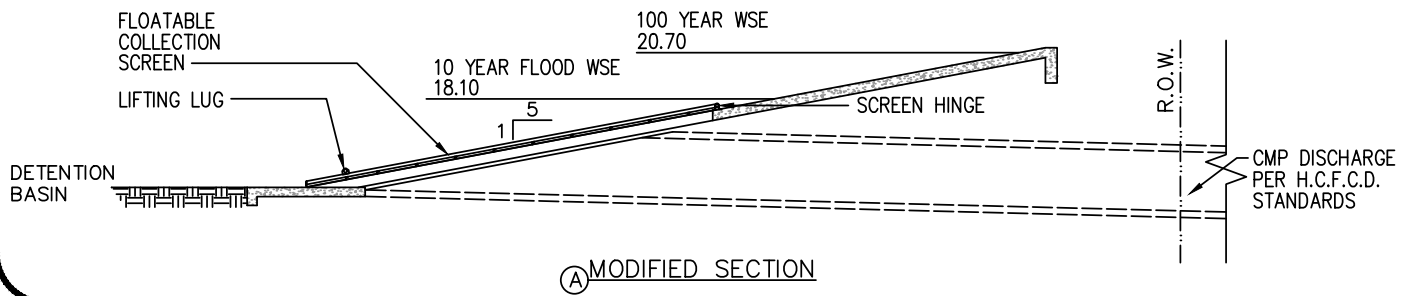
SECTION D



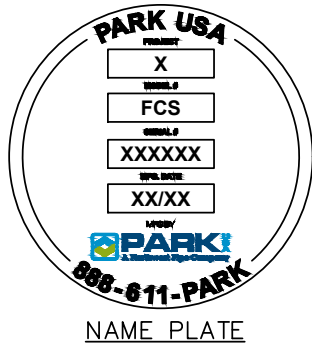
MODIFIED PLAN



FRONT



MODIFIED SECTION A



NAME PLATE

- DESIGN NOTES:
1. DESIGN FOR ACCESSIBILITY BY F.C.D. MAINTENANCE PERSONNEL.
 2. SCREEN TO BE DESIGNED FOR HAND RAKING OF DEBRIS TO TOP OF STRUCTURE FOR DEWATERING & TRUCK PICK UP.
 3. 4' MINIMUM CONCRETE PAVED ACCESS ON ALL SIDES FOR MAINTENANCE PERSONNEL.
 4. 3:1 MAXIMUM SLOPE FOR TRASH COLLECTION SCREEN & CONCRETE PAVING. (BY OTHERS)
 5. PROVIDE ALL-WEATHER ACCESS ROAD TO SCREEN AND DEBRIS REMOVAL SITE. (BY OTHERS)
 6. SCREEN SIZE & NET OPENING AREA TO ALLOW FLOW RATE OF 1.0 CFS THROUGH SCREEN, ASSUMING NO BLINDING, SIZE AREA BELOW RESTRICTOR WALL FOR 10 YEAR FLOW RATE AND OVERALL SCREEN AREA FOR 100 YEAR FLOW RATE.

MINIMUM SCREEN AREA (SQ FT) = Q (CFS) / 0.92
 7. SCREEN DESIGN MAY REQUIRE MULTIPLE 4' WIDE SCREEN PANELS.

FLOATABLE COLLECTION SCREEN
MODEL FCS

| | | | | | |
|------|----|-----|-----|----------|------|
| PM | PC | DRN | ENG | DWG. NO. | REV. |
| | | | | FCS-1 | A |
| DATE | | | | | |

PLOTTED ON 4/22/2024 12:05 PM BY Vu, Kate, D:\File replacement website\FCS-1

CREATED ON 4/19/2024 BY ... LAST MODIFIED ON 4/22/2024 12:05 PM BY Vu, Kate