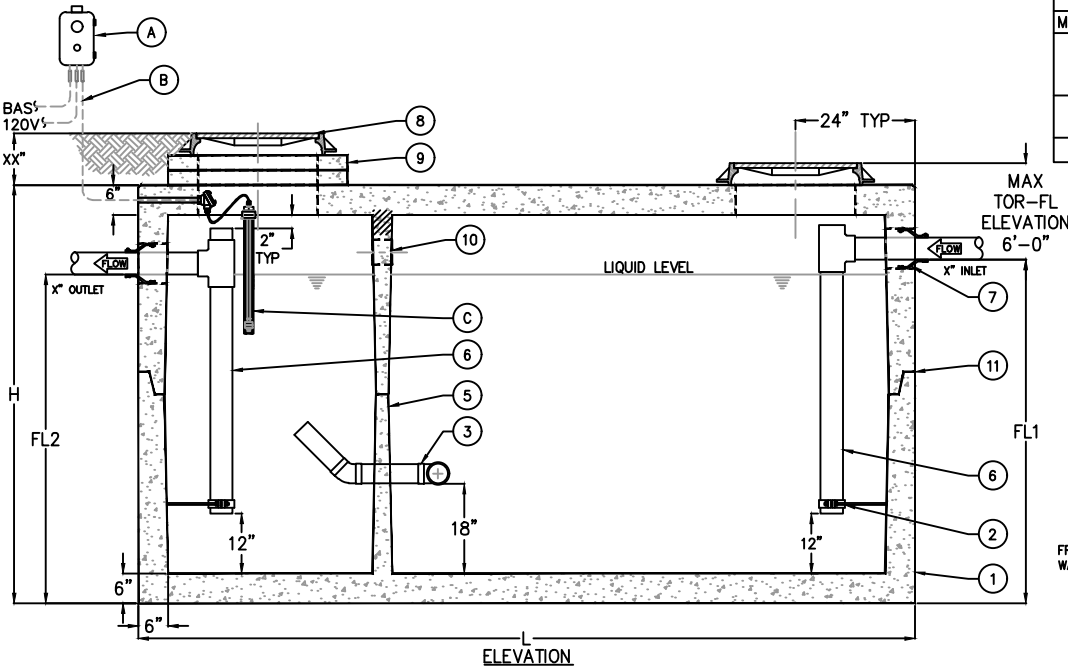


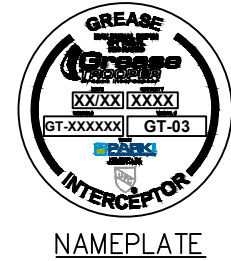
PLAN VIEW

KEYED NOTES		
MARK	QTY	DESCRIPTION
1	1	PRECAST CONCRETE GREASE INTERCEPTOR
2	2	GALVANIZED RISER SUPPORT
3	1	6" PVC DOUBLE TEE MANIFOLD
4	-	TAPERED WALL
5	1	BAFFLE
6	2	SCH 40 PVC PIPING (PROVIDED LOOSE)
7	2	RESILIENT RUBBER BOOT
8	2	24" CAST IRON RING & COVER
9	-	CONCRETE EXTENSION RINGS AS REQ'D
10	1	4" VENT COUPLING
11	1	JOINT SEALED w/ PLASTIC FLEXIBLE GASKET (RAMNEK)
12	1	NAMEPLATE INDICATING: MFG: ParkUSA.COM 888-611-PARK MODEL: GT-03 DATE MANUFACTURED

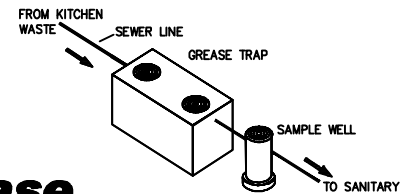


ELEVATION

CONTROL NOTES		
MARK	QTY	DESCRIPTION
A	1	SERVICE ALERT PANEL, NOTIFIES OF GREASE MAXIMUM CAPACITY w/ AUDIBLE & VISUAL ALARM (NEMA 4X)
B	-	CABLE & CONDUIT ROUTED TO ALARM (BY OTHERS)
C	1	GREASE SENSOR (NEMA 7)



NAMEPLATE



GREASE INTERCEPTOR SCHEDULE								
MODEL NO.	CAPACITY USGal	GREASE CAP. (LBS)	EMPTY WT (LBS)	LENGTH L	WIDTH W	HEIGHT H	INLET FL1	OUTLET FL2
* GT-2500	2,500	5,700	27,050	13'-0"	7'-0"	7'-0"	5'-9"	5'-6"
GT-3000	3,000	6,900	33,150	13'-0"	7'-0"	8'-0"	6'-9"	6'-6"
* GT-3500	3,500	8,000	38,550	13'-0"	7'-0"	8'-6"	7'-3"	7'-0"
GT-4000	4,000	9,300	38,100	16'-0"	8'-6"	7'-0"	5'-9"	5'-6"
GT-4500	4,500	10,200	41,000	16'-0"	8'-6"	7'-6"	6'-3"	6'-0"
GT-5000	5,000	11,600	41,550	16'-0"	8'-6"	8'-0"	6'-9"	6'-6"
GT-6000	6,000	13,860	44,700	16'-0"	8'-6"	9'-0"	7'-9"	7'-6"

OTHER SIZES ARE AVAILABLE. CONTACT US FOR MORE INFORMATION
* NOT UPC LISTED

SPECIFICATIONS

CONCRETE: CLASS I/II CONCRETE WITH DESIGN STRENGTH OF 4500 PSI AT 28 DAYS. UNIT IS OF MONOLITHIC CONSTRUCTION AT FLOOR, FIRST STAGE OF WALL AND BAFFLE WITH SECTIONAL RISER TO REQUIRED DEPTH. (MONOLITHIC BAFFLE REQUIRED, SLIDE-IN TYPE NOT ACCEPTABLE).

REINFORCEMENT: GRADE 60 REINFORCED WITH STEEL REBAR CONFORMING TO ATSM A615 ON REQUIRED CENTERS OR EQUAL.

C.I. CASTINGS: MANHOLE FRAMES, COVERS OR GRATES ARE MANUFACTURED OF GREY CAST IRON CONFORMING TO ASTM A48-76 CLASS 30. MANHOLE SHALL BE NOMINAL 24 INCH DIAMETER AND BE TRAFFIC DUTY.

ENGINEERING DATA

THE GREASE INTERCEPTOR IS STRUCTURALLY & HYDRAULICALLY ENGINEERED TO CONFORM TO UPC/IPC AND REGIONAL PLUMBING CODES RECOMMENDED IN MOST CITIES. CONSULT WITH LOCAL AUTHORITIES FOR SPECIFIC APPLICATION REQUIREMENTS.

SHOP DRAWINGS SHALL INCLUDE COMPLETE STRUCTURAL & BUOYANCY CALCULATIONS CERTIFIED BY A LICENSED PROFESSIONAL ENGINEER UPON REQUEST.

CONSULT PARKUSA FOR EXACT EXCAVATION DIMENSIONS & SHIPPING INFORMATION.



TYPICAL APPLICATIONS INCLUDE COMMERCIAL AND INDUSTRIAL FOOD SERVICE KITCHENS WHERE EXCESSIVE GREASE MAY INTERFERE WITH THE PROPER DRAINAGE OF THE SEWER SYSTEM. THE GREASE INTERCEPTOR IS GENERALLY BURIED BELOW GRADE FOR GRAVITY FLOW SEWER SYSTEMS. A SAMPLE WELL IS UTILIZED ON THE OUTLET SIDE FOR SAMPLING BY THE LOCAL WATER AUTHORITY.

© ParkUSA. ALL RIGHTS RESERVED.



GREASE INTERCEPTOR SERIES GT
MODELS 2,500 THRU 6,000 GALLON CAPACITY

PM	PC	DRN	ENG	DWG. NO.	REV.
DATE	03/24	GT-03-WA		A	

LAST MODIFIED BY KJU ON 4/12/2024 4:06 PM; LAST PLOTTED ON 4/12/2024 4:07 PM BY VU, KATE; FILE NAME: GT-03-WA.DWG