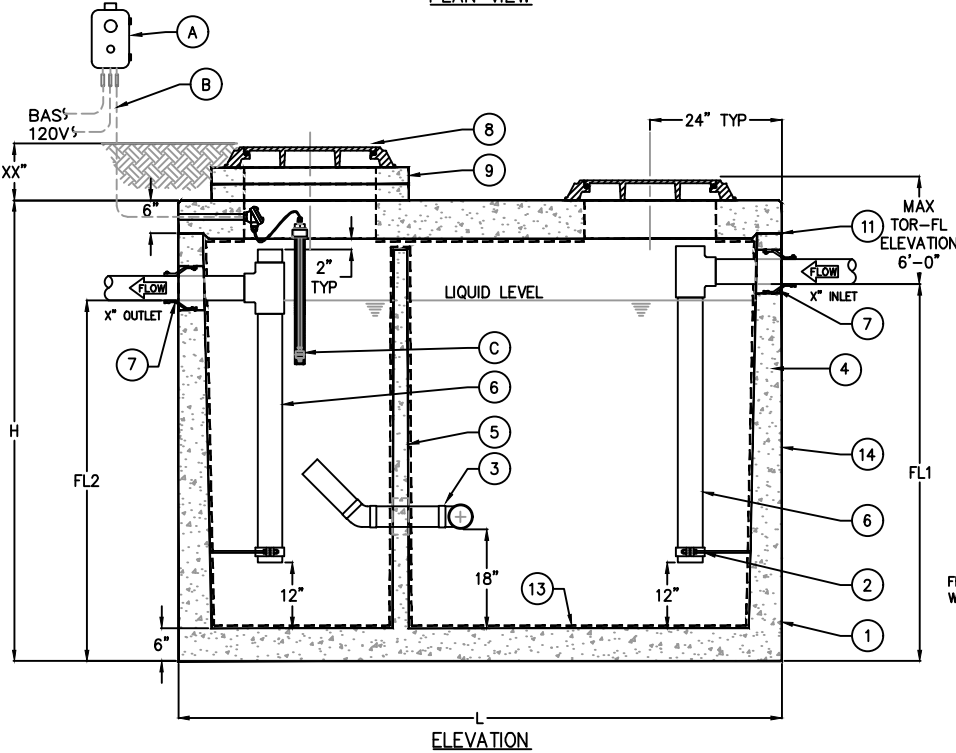


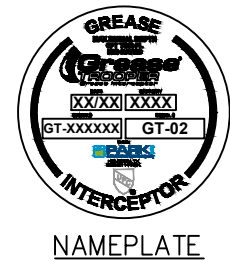
PLAN VIEW



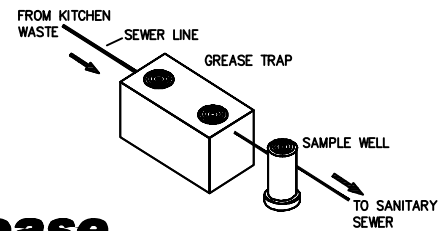
ELEVATION

KEYED NOTES		
MARK	QTY	DESCRIPTION
1	1	PRECAST CONCRETE GREASE INTERCEPTOR
2	2	GALVANIZED RISER SUPPORT
3	1	6" PVC DOUBLE TEE MANIFOLD
4	-	TAPERED WALL
5	1	MONOLITHIC BAFFLE
6	2	SCH 40 PVC PIPING
7	2	RESILIENT RUBBER BOOT
8	2	24" DIA DUCTILE IRON ERGO HINGED FRAME & COVER
9	-	CONCRETE EXTENSION RINGS AS REQ'D
10	1	4" VENT COUPLING
11	1	JOINT SEALED w/ PLASTIC FLEXIBLE GASKET (RAMNEK)
12	1	NAMEPLATE INDICATING: MFG: ParkUSA.COM 888-611-PARK MODEL: GTX-02 DATE MANUFACTURED
13	1	INTERIOR LINING 3mm HDPE
14	1	EXTERIOR BITUMASTIC COATING

CONTROL NOTES		
MARK	QTY	DESCRIPTION
A	1	SERVICE ALERT PANEL, NOTIFIES OF GREASE MAXIMUM CAPACITY w/ AUDIBLE & VISUAL ALARM (NEMA 4X)
B	-	CABLE & CONDUIT ROUTED TO ALARM (BY OTHERS)
C	1	GREASE SENSOR (NEMA 7)



NAMEPLATE



GREASE INTERCEPTOR SCHEDULE								
MODEL NO.	CAPACITY USGal	GREASE CAP. (LBS)	EMPTY WT (LBS)	LENGTH L	WIDTH W	HEIGHT H	INLET FL1	OUTLET FL2
GTX-1000	1,000	2,300	13,350	8'-8"	5'-0"	6'-0"	4'-9"	4'-6"
GTX-1250	1,250	2,900	14,650	9'-2"	5'-8"	6'-0"	4'-9"	4'-6"
GTX-1500	1,500	3,500	16,050	9'-2"	5'-8"	7'-0"	5'-9"	5'-6"
GTX-2000	2,000	4,600	21,250	9'-0"	6'-0"	8'-0"	6'-9"	6'-6"

OTHER SIZES AVAILABLE. CONTACT US FOR MORE INFORMATION.

SPECIFICATIONS

CONCRETE: CLASS 1/II CONCRETE WITH DESIGN STRENGTH OF 4500 PSI AT 28 DAYS. UNIT IS OF MONOLITHIC CONSTRUCTION AT FLOOR, FIRST STAGE OF WALL AND BAFFLE WITH SECTIONAL RISER TO REQUIRED DEPTH. (MONOLITHIC BAFFLE REQUIRED, SLIDE-IN TYPE NOT ACCEPTABLE).

REINFORCEMENT: GRADE 60 REINFORCED WITH STEEL REBAR CONFORMING TO ATSM A615 ON REQUIRED CENTERS OR EQUAL.

C.I. CASTINGS: MANHOLE FRAMES, COVERS OR GRATES ARE MANUFACTURED OF GRAY CAST IRON CONFORMING TO ASTM A48-76 CLASS 30. MANHOLE SHALL BE NOMINAL 24 INCH DIAMETER AND BE TRAFFIC DUTY.

Engineering Data

THE GREASE INTERCEPTOR IS STRUCTURALLY & HYDRAULICALLY ENGINEERED TO CONFORM TO UPC/IPC AND REGIONAL PLUMBING CODES RECOMMENDED IN MOST CITIES. CONSULT WITH LOCAL AUTHORITIES FOR SPECIFIC APPLICATION REQUIREMENTS.

SHOP DRAWINGS SHALL INCLUDE COMPLETE STRUCTURAL & BUOYANCY CALCULATIONS CERTIFIED BY A LICENSED PROFESSIONAL ENGINEER UPON REQUEST.

CONSULT PARKUSA FOR EXACT EXCAVATION DIMENSIONS & SHIPPING INFORMATION.



TYPICAL APPLICATIONS INCLUDE COMMERCIAL AND INDUSTRIAL FOOD SERVICE KITCHENS WHERE EXCESSIVE GREASE MAY INTERFERE WITH THE PROPER DRAINAGE OF THE SEWER SYSTEM. THE GREASE INTERCEPTOR IS GENERALLY BURIED BELOW GRADE FOR GRAVITY FLOW SEWER SYSTEMS. A SAMPLE WELL IS UTILIZED ON THE OUTLET SIDE FOR SAMPLING BY THE LOCAL WATER AUTHORITY.

© ParkUSA. ALL RIGHTS RESERVED.



Uniform Plumbing Code Listed



GREASE INTERCEPTOR SERIES GTX
MODELS 1,000 THRU 2,000 GALLON CAPACITY

PM	PC	DRN	ENG	DWG. NO.	REV.
DATE	4/24			GTX-02-WA	A

LAST MODIFIED BY KVI ON 4/12/2024 4:21 PM. LAST PLOTTED ON 4/12/2024 4:22 PM BY VJ, KATE. FILE NAME: GTX-02-WA.DWG