



## GeoCat™ DH

A cost-effective way to collect, dewater, transport, and dump sludges, slurries, and wet solids.

The GeoCat dewatering box uses disposable filter media to effectively dewater challenging sludge that may be sticky, slimy, slightly oily, non-uniform, non-specific, or difficult to dewater without flocculation. The system is an optimal choice for applications where residual sludge cake would present a clean-up issue, as the disposable filter media is discarded with the cake.

### Available Models:



Model FL



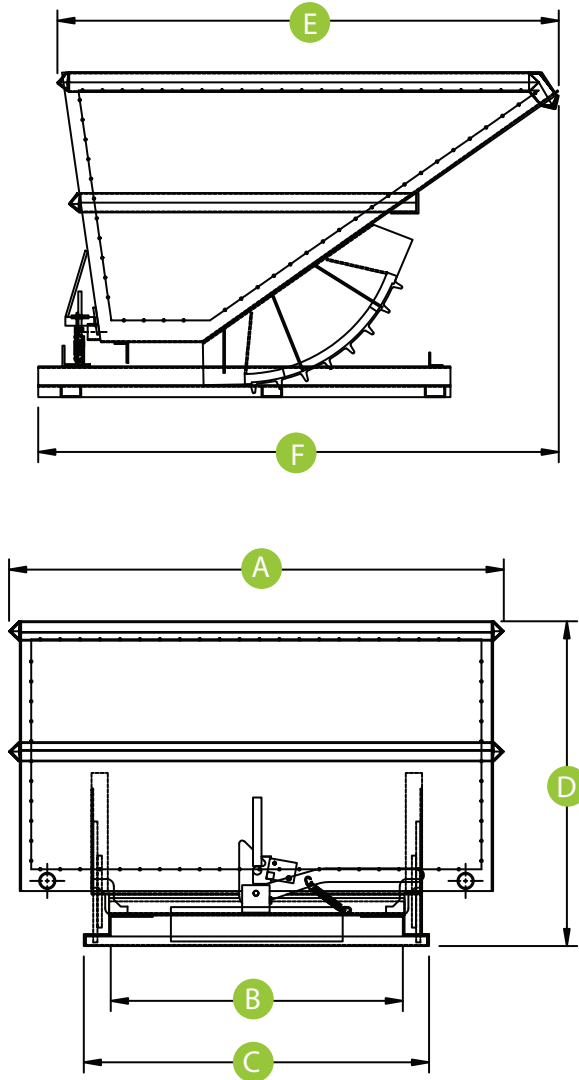
Model RO

### Features:

- Heavy-duty carbon steel construction (optional stainless steel)
- Designed to be handled by a standard fork truck
- Typical two 2" drain ports located at the bottom of the unit on each side at opposing ends
- Filter media is disposable but can be reused in certain situations
- Filter support panels made of expanded metal and perforated plates (optional materials available for support panels)
- Disposable filter media is available in 3, 4, 6, and 10 ounce fabric and a woven 40 mesh polypropylene filter; it is made into an envelope shape and held in place by bag hooks around the top perimeter of the hopper
- Optional: double wall filter element that splits the hopper into two compartments
- Recommended Dump Hopper sizes: 3, 4, and 5 cubic yards

### Applications Include:

- Water treatment plants
- Gas scrubber ash
- Arsenic sludge
- Alum sludge



Model	Size	A	B	C	D	E	F	Dry Weight
GEDH01	1 yd	39 1/2	30 3/4	38 3/8	37 3/4	62 1/2	64 3/4	660
GEDH02	2 yd	51 1/2	42 1/2	50 1/4	46 1/4	73	75 3/4	860
GEDH03	3 yd	72	42 1/2	50 1/4	47 1/4	73	75 3/4	1270
GEDH04	4 yd	99 1/2	42 1/2	50 1/4	47 1/4	73	75 3/4	1670
GEDH05	5 yd	123 1/2	42 1/2	50 1/4	47 1/4	73	75 3/4	1950

\*Specifications subject to change without notice. Measurements are in inches and weights in pounds.