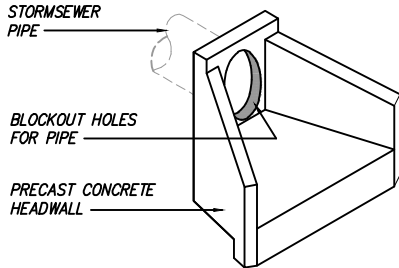
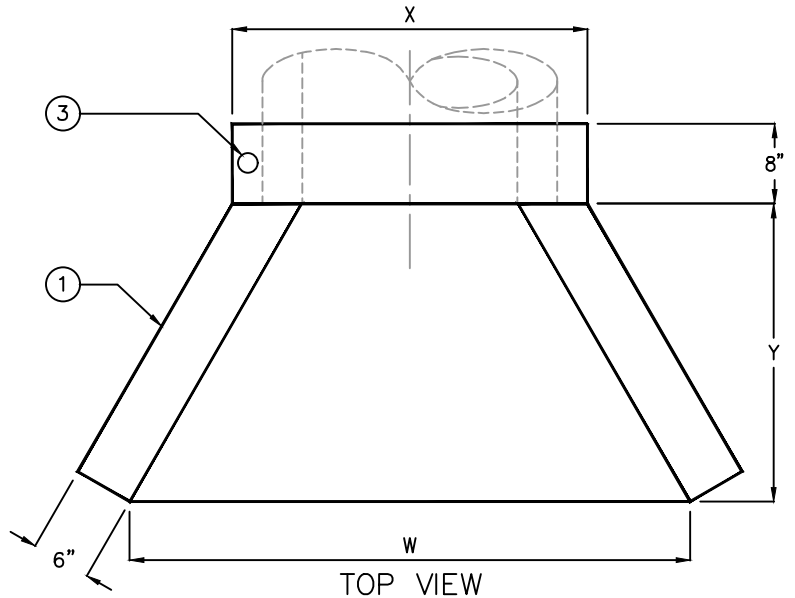


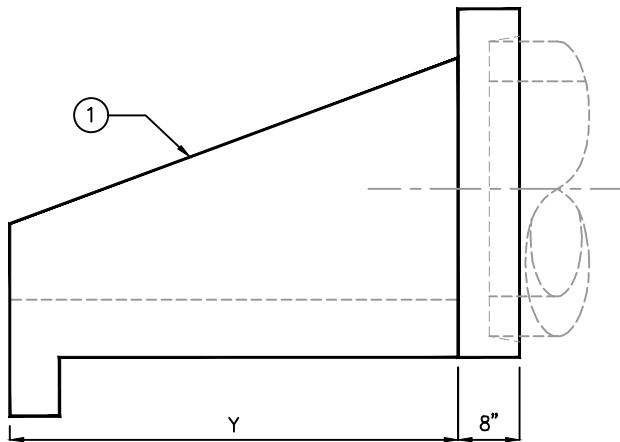
12" THRU 24" HEADWALL



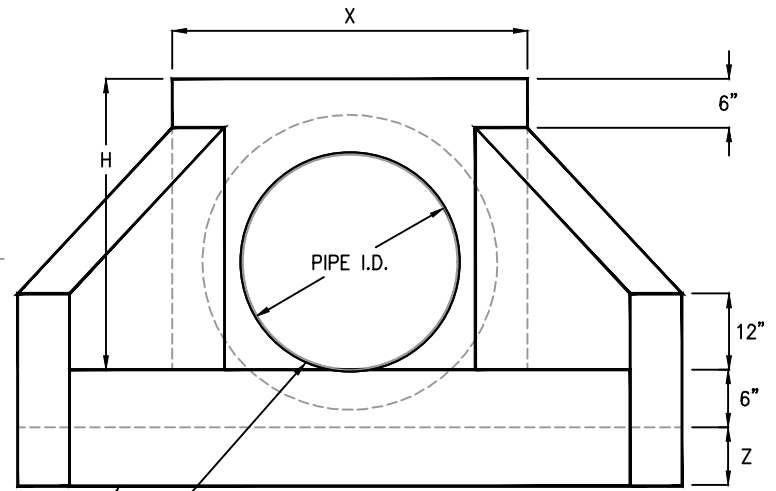
30" THRU 48" HEADWALL



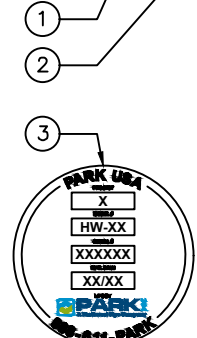
TOP VIEW



SIDE VIEW



FRONT VIEW



NAME PLATE

KEYED NOTES		
MARK	QTY	DESCRIPTION
1	1	PRECAST CONCRETE HEADWALL
2	1	BLOCKOUT HOLE FOR PIPE
3	1	NAMEPLATE PARKUSA 888-611-PARK WWW.PARKUSA.COM MODEL HW-1

MODEL	PIPE DIA	DIMENSIONS					WEIGHT (LBS)
		H	W	X	Y	Z	
HW-12	12"	2'-6"	4'-3"	3'-0"	2'-0"	N/A	2,700
HW-15	15"	2'-6"	4'-3"	3'-0"	2'-0"	N/A	2,700
HW-18	18"	2'-6"	4'-3"	3'-0"	2'-0"	N/A	2,600
HW-21	21"	3'-0"	5'-10"	3'-2"	3'-0"	N/A	4,300
HW-24	24"	3'-0"	5'-10"	3'-2"	3'-0"	N/A	4,200
HW-30	30"	3'-6"	7'-6"	4'-1"	4'-0"	9"	6,200
HW-36	36"	4'-1"	9'-3"	4'-8"	5'-0"	9"	8,100
HW-42	42"	4'-11"	12'-6"	5'-10"	6'-0"	12"	11,000
HW-48	48"	4'-11"	12'-6"	5'-10"	6'-0"	12"	11,000

© ParkUSA. ALL RIGHTS RESERVED.

SPECIFICATIONS

CONCRETE: Class II concrete with of design strength of 4500 PSI at 28 days. Unit is of monolithic construction including walls and floor.

REINFORCEMENT: Grade 60 reinforced. No. 4 steel rebar to conform to ASTM A615 on required centers or equal. Bar bending and placement shall with the latest ACI standards.



CONCRETE HEADWALL FOR STORMWATER PIPING

PM	PC	DRN	ENG	DWG. NO.	REV.
				HW-1	A
DATE	2023				

PLOTTED ON 4/22/2024 11:34 AM BY Vu, Kate, D:\File replacement website\HW-1