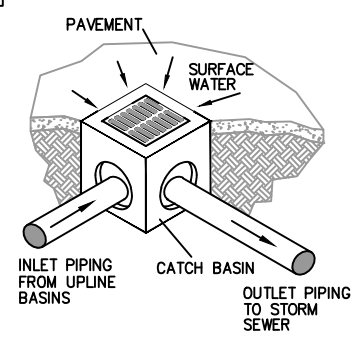
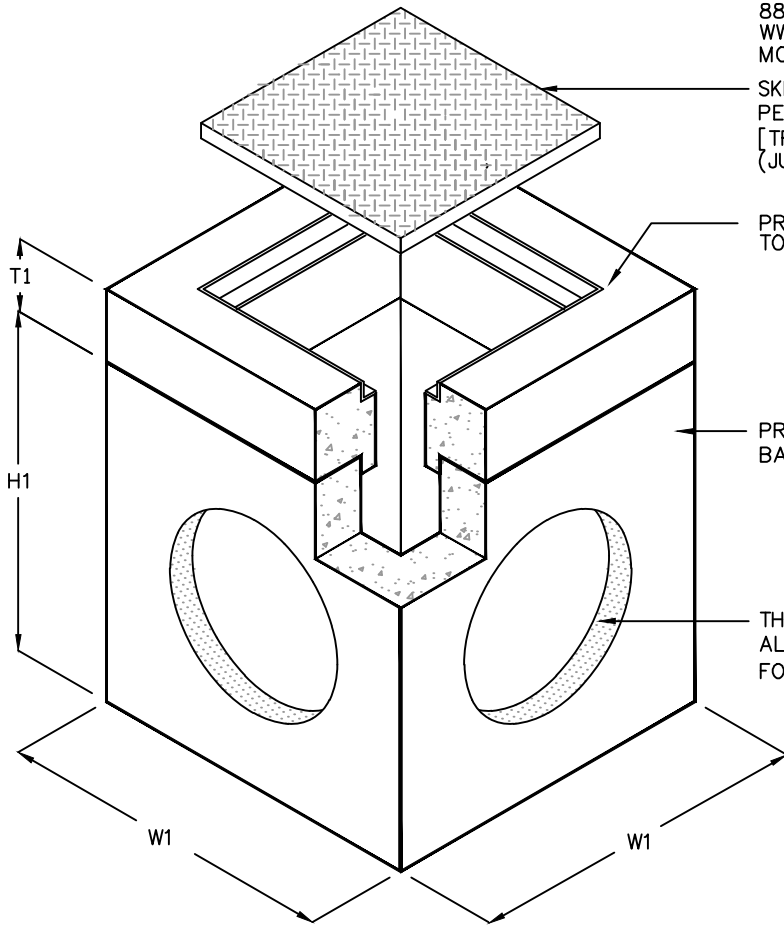


JUNCTION BOX
 MFG: ParkUSA
 888-611-PARK
 WWW.PARKUSA.COM
 MODEL: JB

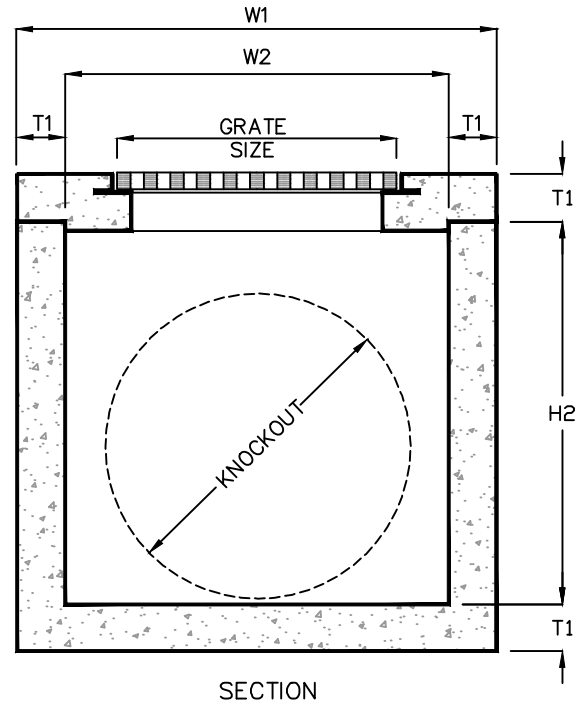


NOTE:
 RISER SECTION AVAILABLE
 IN 6" TO 18" DEPTHS.

ISOMETRIC

MODEL JUNCTION BOX ¹	DIMENSIONS									
	W1	W2	H1	H2	T1	KO	GRATE/COVER SIZE	OPEN AREA (sq in)	WEIGHT LBS	
JB-48	60"	48"	54"	48"	6"	48"	38"x38"x2"	693	7,250	
JB-60	72"	60"	66"	60"	6"	60"	38"x38"x2"	693	10,500	
JB-72	84"	72"	78"	72"	6"	72"	38"x38"x2"	693	15,350	
JB-84	96"	84"	78"	72"	6"	72"	38"x38"x2"	693	19,500	

1. ALL JUNCTION BOXES ARE STANDARD PEDESTRIAN DUTY OR OPTIONAL TRAFFIC DUTY.



SECTION




SPECIFICATIONS

CONCRETE : Class I/II concrete with of design strength of 4500 PSI at 28 days. Unit is of monolithic construction at floor and first stage of wall with sectional riser to required depth. Rated for H-20 Loading.

REINFORCEMENT: Grade 60 reinforced. Steel rebar conforming to ASTM A615 on required centers or equal.

C.I. CASTINGS: Cast iron frames and grates are manufactured of grey cast iron conforming to ASTM A48-76 Class 35.

© ParkUSA. ALL RIGHTS RESERVED.



PARK USA
A Northwest Pipe Company

JUNCTION BOX				
MODEL JB - 48" THRU 84"				
PM	PC	DRN	ENG	DWG. NO.
DATE	2023			JB-2
				REV.
				A

PLOTTED ON 12/15/2023 4:02 PM BY: Howerton, Chris Y. Partridge Website 2023 - NEED TO GO UTILITY FOLDER JB-02-2022