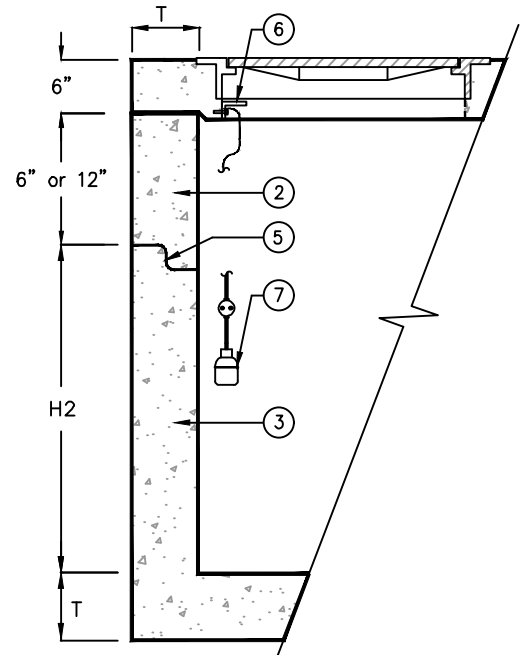


ISOMETRIC

ISOMETRIC w/
OPTIONAL EXTENSIONS



KEYED NOTES		
MARK	QTY	DESCRIPTION
1	1	CAST IRON FRAME & COVER, FURNISHED LOOSE OR CAST-IN. SQUARE PLATE OPTIONAL.
2	1	OPTIONAL EXTENSION 6" OR 12"
3	1	PRECAST CONCRETE BASIN SECTION
4	4	THIN WALL KNOCKOUT ON ALL 4 SIDES, SEE KO DIMENSION FOR MAXIMUM PIPE O.D.
5	1	RAM-NEK GASKET
6	1	(OPTIONAL) CABLE BRACKET FOR FLOAT SWITCH
7	1	(OPTIONAL) LEVEL FLOAT SWITCH FOR PUMP SHUT-DOWN @ DITCH HIGH LEVEL
8	1	NAMEPLATE INDICATING: MFG: PARKUSA 888-611-PARK WWW.PARKUSA.COM MODEL: JBC-1 DATE MANUFACTURED



PARTIAL SECTION

MODEL	W1	W2	H1	H2	T	KO	GRATE SIZE	OPEN AREA	WEIGHT LBS
JBC-12	15"	10"	21"	18"	3"	10"	12"x12"x1"	90	180
JBC-14	20"	12"	28"	24"	4"	12"	14"x14"x1½"	120	600
JBC-18	24"	16"	34"	30"	4"	15"	18"x18"x1½"	168	1,000
JBC-20	26"	18"	34"	30"	4"	17"	20"x20"x1½"	170	1,335
JBC-24	32"	22"	41"	36"	5"	22"	24"x24"x2"	268	2,245
JBC-27	37"	25"	42"	36"	6"	24"	27"x27"x2"	350	2,875
JBC-30	42"	30"	42"	36"	6"	30"	32"x32"x2"	490	3,675
JBC-36	48"	36"	42"	36"	6"	32"	38"x38"x2"	693	4,585
JBC-48	60"	48"	54"	48"	6"	48"	38"x38"x2"	693	7,250
JBC-60	72"	60"	66"	60"	6"	60"	38"x38"x2"	693	10,500
*JBC-72	84"	72"	78"	72"	6"	72"	38"x38"x2"	693	15,350
*JBC-84	96"	84"	78"	72"	6"	72"	38"x38"x2"	693	19,500

*THIN WALL KNOCKOUTS NOT AVAILABLE



SPECIFICATIONS

- CONCRETE: CLASS I/II CONCRETE WITH OF DESIGN STRENGTH OF 4500 PSI AT 28 DAYS. UNIT IS OF MONOLITHIC CONSTRUCTION AT FLOOR AND FIRST STAGE OF WALL WITH SECTIONAL RISER TO REQUIRED DEPTH.
- REINFORCEMENT: GRADE 60 REINFORCED. STEEL REBAR CONFORMING TO ASTM A615 ON REQUIRED CENTERS OR EQUAL.
- C.I. CASTINGS: CAST IRON FRAMES AND GRATES ARE MANUFACTURED OF GREY CAST IRON CONFORMING TO ASTM A48-76 CLASS 30.



JUNCTION BOX
MODEL JBC 12" THRU 84"

PM	PC	DRN	ENG	DWG. NO.	REV.
				JBC-1	A
DATE				2023	

PLOTTED ON 12/15/2023 3:46 PM BY Howerton, Chris Y:Paradege Website 2022 - NEED TO GO UTILITY FOLDER\JBC-1-2022

© ParkUSA. ALL RIGHTS RESERVED.