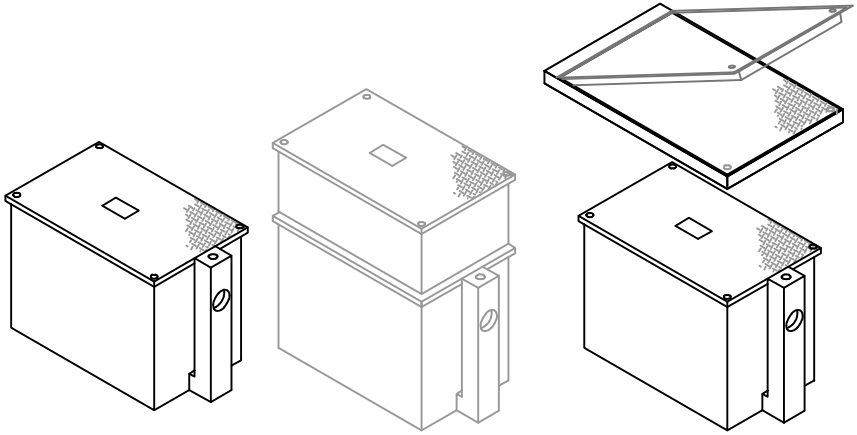


TYPICAL INSTALLATIONS



STANDARD MODEL STANDARD MODEL WITH OPTIONAL EXTENSION STANDARD MODEL WITH OPTIONAL HD HATCHWAY

ISOMETRIC

DIMENSIONAL DATA									
MODEL	FLOW RATE G.P.M.	GREASE CAPACITY LBS	C	D	E	F	G	INLET/OUTLET NO-HUB CONN.	
MGT-4	4	8	0'-10"	0'-7 1/4"	0'-7 1/4"	1'-3 7/8"	0'-9 7/8"	0'-2"	
MGT-7	7	14	0'-11 1/4"	0'-8 1/8"	0'-8 1/8"	1'-5 1/4"	0'-11 7/8"	0'-2"	
MGT-10	10	20	0'-11 3/4"	0'-8 1/4"	0'-8 1/4"	1'-7 1/4"	1'-2"	0'-2"	
MGT-15	15	30	1'-1 3/8"	0'-9 3/8"	0'-9 3/8"	1'-9 1/4"	1'-4 3/4"	0'-2"	
MGT-20	20	40	1'-3"	0'-11 3/4"	0'-11 3/4"	2'-0 1/8"	1'-5 1/4"	0'-3"	
MGT-25	25	50	1'-5"	1'-0 1/2"	1'-0 1/2"	2'-2 1/8"	1'-7 7/8"	0'-3"	
MGT-35	35	70	1'-6 3/4"	1'-2 1/4"	1'-2 1/4"	2'-4"	1'-10 1/2"	0'-4"	
MGT-50	50	100	1'-9 1/2"	1'-4"	1'-4"	2'-5 7/8"	2'-0 1/2"	0'-4"	
MGT-75	75	150	1'-10 3/4"	1'-6 1/2"	1'-6 1/2"	3'-0"	2'-4 5/8"	0'-4"	
MGT-100	100	200	2'-3"	1'-11"	1'-11"	3'-6 3/4"	2'-9 5/8"	0'-4"	

GENERAL INFORMATION

HYDROMECHANICAL GREASE INTERCEPTORS (HGIs) ARE ESSENTIAL IN NON-PRIVATE ESTABLISHMENTS FOR REMOVING EXCESSIVE GREASE THAT MAY IMPEDE THE PROPER DRAINAGE AND TREATMENT OF WASTEWATER. LOCAL PLUMBING CODES TYPICALLY REQUIRE THESE INTERCEPTORS WHERE THERE IS CONSIDERABLE WASTEWATER OUTPUT. HGIs ARE COMMONLY INSTALLED IN COMMERCIAL AND INSTITUTIONAL KITCHENS AS WELL AS IN FOOD PROCESSING PLANTS, WHERE WASTE OFTEN INCLUDES HIGH ORGANIC LOADS SUCH AS GREASE, OILS, FATS, AND BOTH DISSOLVED AND SUSPENDED FOOD PARTICLES, ALONG WITH DETERGENTS. THE INTERCEPTOR CAPTURES LIQUID GREASY WASTE AND/OR SOLID DEBRIS, RETAINING IT LONG ENOUGH TO ALLOW THE GREASE TO COOL AND SEPARATE FROM THE WATER. THIS DETENTION TIME NOT ONLY FACILITATES THE COAGULATION OF THE GREASE BUT ALSO ENSURES THE SOLID WASTE IS SEPARATED FROM THE WASTEWATER BEFORE IT ENTERS THE SANITARY SEWER SYSTEM. PARKUSA OFFERS HYDROMECHANICAL GREASE INTERCEPTORS SUITABLE FOR ALL APPLICATIONS AND COMPLIANT WITH ALL CODE REQUIREMENTS.



© ParkUSA. ALL RIGHTS RESERVED.

HYDROMECHANICAL GREASE INTERCEPTOR (HGI)
MODELS 8 THRU 200 LBS CAPACITY

PM	PC	DRN	ENG	DWG. NO.	REV.
DATE	4/24	MGT-1-WA			A

LAST MODIFIED BY KVV ON 4/18/2024 4:11 PM; LAST PLOTTED ON 4/18/2024 4:11 PM BY WJ, KATE; FILE NAME: MGT-1-WA.DWG