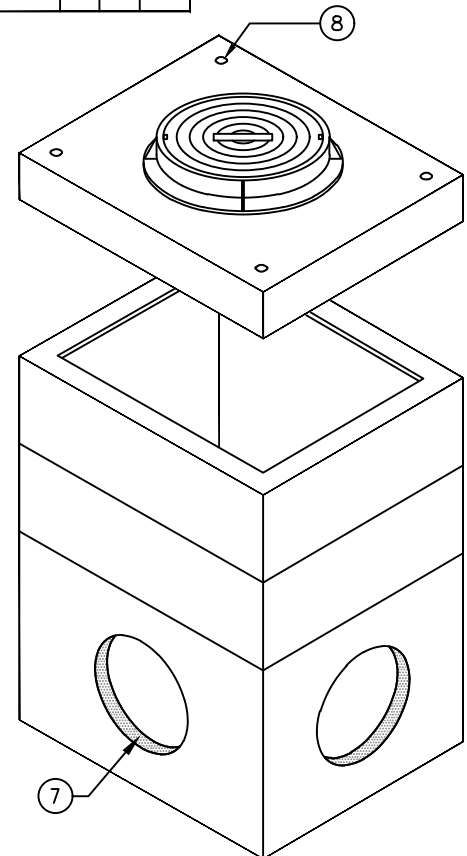
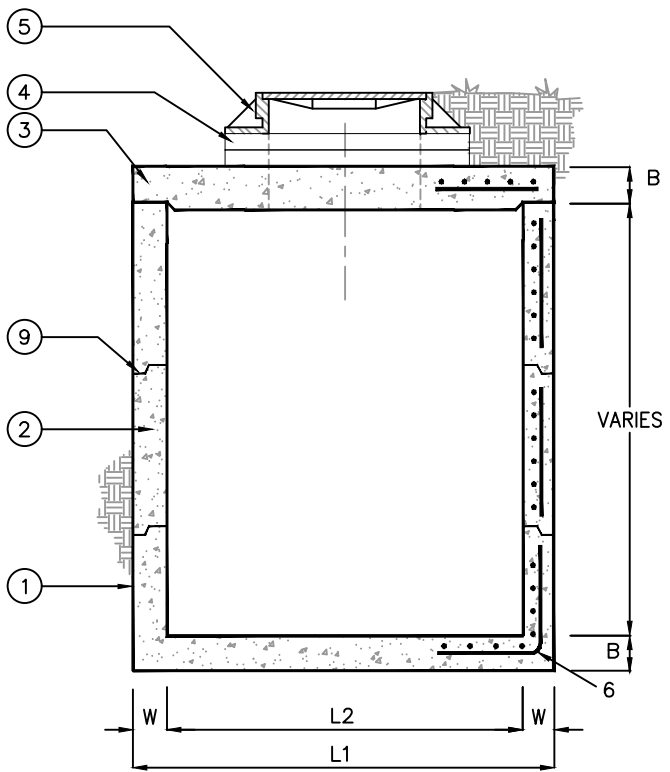


PLAN

DIMENSIONS					
MODEL	L1xW1 ID (in)	L2xW2 ID (in)	W (in)	B (in)	KO (in)
MHSQ-36	48	36	6	6	42"
MHSQ-48	60	48	6	6	58"
MHSQ-60	72	60	6	6	72"
MHSQ-72	84	72	6	6	86"
MHSQ-84	96	84	6	6	100"
MHSQ-96	112	96	8	8	114"



ISOMETRIC



SECTION

KEYED NOTES		
MARK	QTY	DESCRIPTION
1	1	BOTTOM SECTION
2	1	RISER SECTION
3	1	FLAT TOP
4	-	GRADE RINGS AS REQUIRED
5	1	CAST IRON FRAME & COVER
6	-	#4 REBAR 12" OCEW IN BTM, WALLS, & TOP
7	4	THIN WALL KNOCKOUT ON ALL 4 SIDES, SEE KO DIMENSION FOR MAXIMUM PIPE O.D.
8	-	LIFTING LUGS AS REQUIRED
9	-	ALL JOINTS SEALED WATER TIGHT WITH RAM-NEK

SPECIFICATIONS

- CONCRETE:** CLASS I/II CONCRETE WITH DESIGN STRENGTH OF 4500 PSI AT 28 DAYS. UNIT IS OF MONOLITHIC CONSTRUCTION AT FLOOR, FIRST STAGE OF WALL AND BAFFLE WITH SECTIONAL RISER TO REQUIRED DEPTH. (H20/HL93 RATED)
- REINFORCEMENT:** GRADE 60 REINFORCED WITH STEEL REBAR CONFORMING TO ASTM A615 ON REQUIRED CENTERS OR EQUAL.
- C.I. CASTINGS:** MANHOLE FRAMES, COVERS OR GRATES ARE MANUFACTURED OF GREY CAST IRON CONFORMING TO ASTM A48 CLASS 35. MANHOLE SHALL HAVE 30 INCH INSIDE DIAMETER AND BE TRAFFIC DUTY.



PRECAST CONCRETE SQUARE
MANHOLE - SIZES 36" THRU 96"

PM	PC	DRN	ENG	DWG. NO.	REV.
				MHSQ-1	A
DATE				2023	

CREATED ON 2/10/2023 BY: CHOWEN... LAST MODIFIED ON 2/10/2023 10:36 AM BY: CHOWEN...

PLOTTED ON 4/28/2023 9:08 AM BY: Howerton, Chris, Y:\Parkings\Website 2022 - NEED TO GC\WHI - COMPLETE\Worked on\MHSQ-1

© ParkUSA. ALL RIGHTS RESERVED.