

CAST IRON FRAME
& COVER

EXTENSION

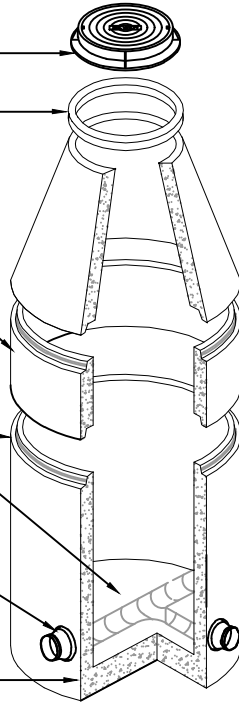
PRECAST CONCRETE
RISERS, SIZE IN
48" - 144" DIAMETER

TONGUE & GROOVE

PREFORMED INVERT
48" ONLY

RUBBER CONNECTORS
OR GASKETS

MONOLITHIC BOTTOM



MANHOLE - SANITARY SEWER

CAST IRON FRAME
& COVER

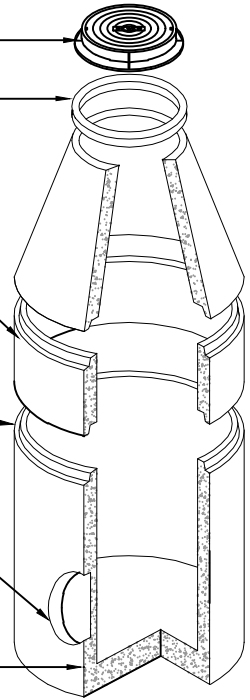
EXTENSION

PRECAST CONCRETE
RISERS, SIZE IN
48" - 144" DIAMETER

TONGUE & GROOVE

BLOCKOUT FOR PIPE

MONOLITHIC BOTTOM



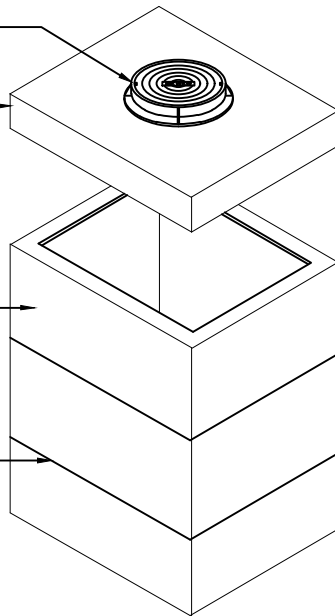
MANHOLE - STORM SEWER

CAST IRON FRAME
& COVER

SLAB TOP

PRECAST CONCRETE
RISERS, SIZE IN
3'x3' - 12'x12'

TONGUE & GROOVE
JOINT



WET WELL - MULTI-PURPOSE

VENT

ACCESS HATCHWAY

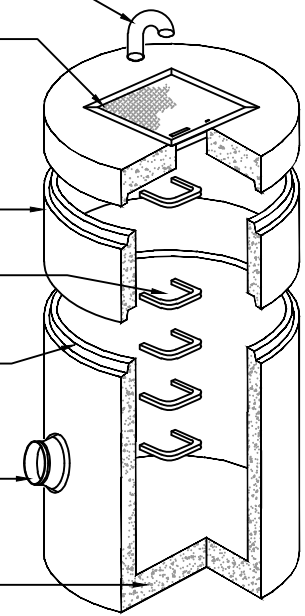
PRECAST CONCRETE
RISERS, SIZE IN
48" - 144" DIAMETER

OSHA STEPS

TONGUE & GROOVE/
O-RING JOINT

RUBBER PIPE BOOT
CONNECTORS

MONOLITHIC BOTTOM



WET WELL - FOR PUMP STATION

© ParkUSA. ALL RIGHTS RESERVED.

SPECIFICATIONS

CONCRETE: CLASS I/II CONCRETE WITH OF DESIGN STRENGTH OF 4500 PSI AT 28 DAYS. RATED FOR H-20 LOADING.

REINFORCEMENT: STRUCTURAL REINFORCEMENT CONFORMING TO ASTM-C-478.

C.I. CASTINGS: CAST IRON FRAMES AND GRATES ARE MANUFACTURED OF GREY CAST IRON CONFORMING TO ASTM A48-76 CLASS 30.



PRECAST CONCRETE
MANHOLES AND WET WELLS

PM	PC	DRN	ENG	DWG. NO.	REV.
.	.	.	.	MHWW-1	A
DATE				2023	

CREATED ON 2/10/2023 BY: [redacted]
LAST MODIFIED ON 2/10/2023 2:46 PM BY: shewerton

PLOTTED ON 4/28/2023 9:07 AM BY: Howerton, Chris, Y:\Parkings\Website 2022 - NEED TO GC\WHI - COMPLETE\Worked on\WHW-