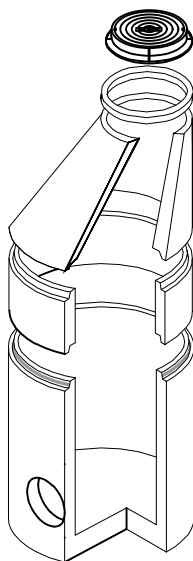


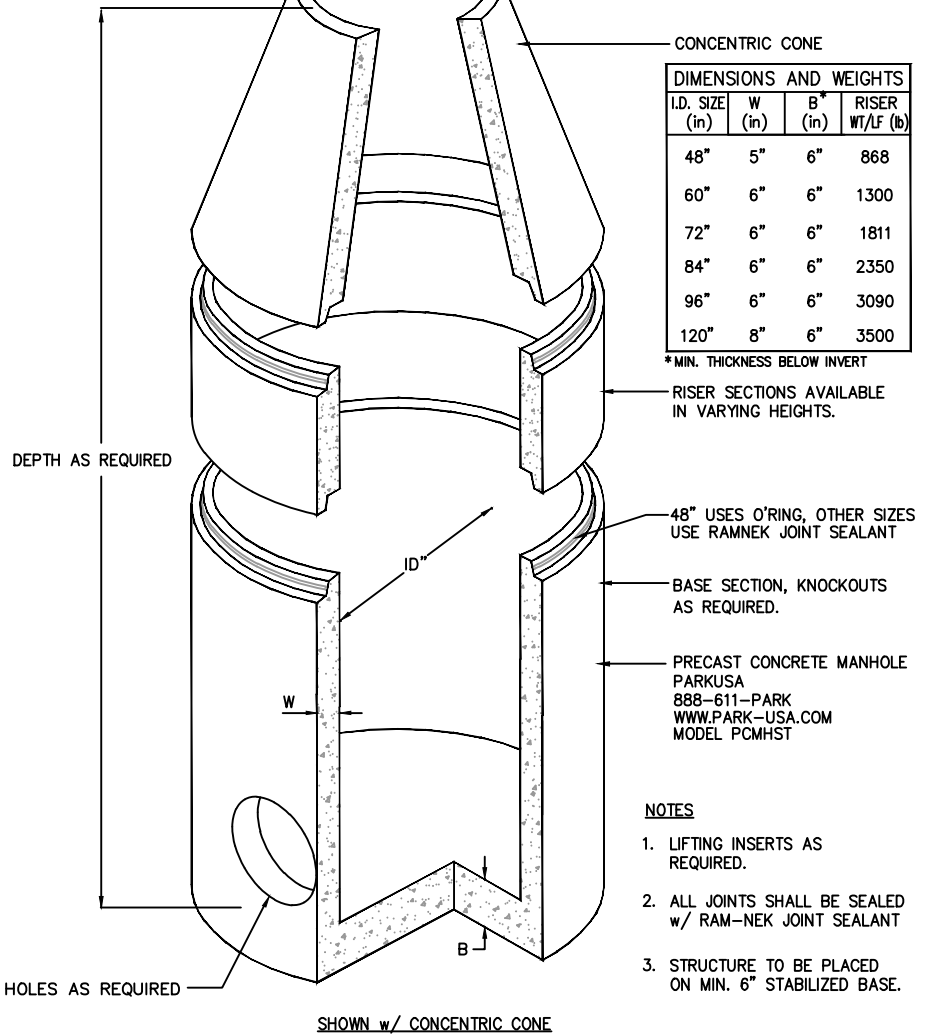
SHOWN w/ FLAT TOP



SHOWN w/ ECCENTRIC CONE

**OPTIONS**

- \* STEPS
- \* EXTENDED LIP BASE
- \* COATINGS
- \* BOTTOM



SHOWN w/ CONCENTRIC CONE

CAST IRON MANHOLE FRAME & COVER

3" THICK ADJUSTMENT RINGS AS REQUIRED. FLAT TOPS ARE AVAILABLE.

CONCENTRIC CONE

DIMENSIONS AND WEIGHTS			
I.D. SIZE (in)	W (in)	B (in)	RISER WT/LF (lb)
48"	5"	6"	868
60"	6"	6"	1300
72"	6"	6"	1811
84"	6"	6"	2350
96"	6"	6"	3090
120"	8"	6"	3500

\* MIN. THICKNESS BELOW INVERT

RISER SECTIONS AVAILABLE IN VARYING HEIGHTS.

48" USES O'RING, OTHER SIZES USE RAMNEK JOINT SEALANT

BASE SECTION, KNOCKOUTS AS REQUIRED.

PRECAST CONCRETE MANHOLE  
PARKUSA  
888-611-PARK  
WWW.PARK-USA.COM  
MODEL PCMHST

**NOTES**

1. LIFTING INSERTS AS REQUIRED.
2. ALL JOINTS SHALL BE SEALED w/ RAM-NEK JOINT SEALANT
3. STRUCTURE TO BE PLACED ON MIN. 6" STABILIZED BASE.

**Specifications**

CONCRETE: CLASS I/II CONCRETE WITH OF DESIGN STRENGTH OF 4500 PSI AT 28 DAYS. RATED FOR H-20 LOADING.

REINFORCEMENT: STRUCTURAL REINFORCEMENT CONFORMING TO ASTM-C-478.

C.I. CASTINGS: CAST IRON FRAMES AND GRATES ARE MANUFACTURED OF GREY CAST IRON CONFORMING TO ASTM A48-76 CLASS 35.



PRECAST CONCRETE MANHOLE  
FOR STORM SEWER - MODEL PCMHST 48" THRU 120"

PM	PC	DRN	ENG	DWG. NO.	REV.
				PCMHST-1	A
DATE				2022	