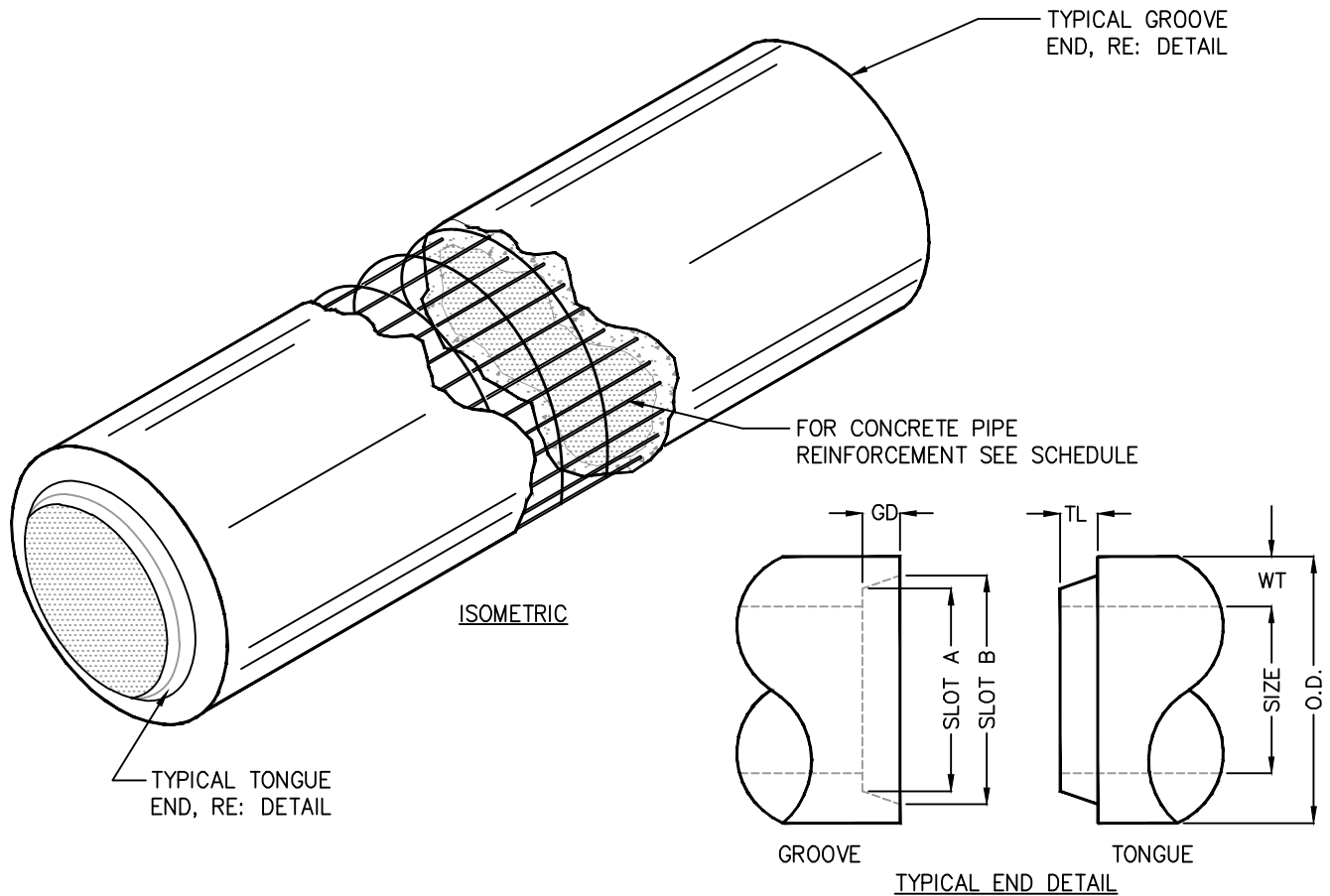


DIMENSION SCHEDULE OF C-76 TONGUE & GROOVE PIPE

PIPE SIZE I.D.	O.D.	WT. / FT.	AVAILABLE LENGTHS	REINFORCEMENT	WALL THICKNESS WT	TONGUE LENGTH TL	GROOVE DEPTH GD	SLOT DIM		QUANTITY L.F.
								A	B	
12"	16"	100 LBS	4' OR 6'	W 2.5x3.0 3"x8"	2"	2"	2"	13"	14"	
15"	19½"	125 LBS	4' OR 6'	W 2.5x3.0 3"x8"	2¼"	2¼"	2¼"	16½"	17¼"	
18"	23"	160 LBS	4' OR 6'	W 2.5x3.0 3"x8"	2½"	2"	2½"	19¾"	21"	
24"	30"	260 LBS	4' OR 6'	W 2.5x3.0 3"x8"	3"	2¾"	2¼"	26¼"	27¾"	
30"	37"	395 LBS	6'	W 5.0x3.0 3"x8"	3½"	2½"	2¼"	32½"	34¼"	
36"	44"	520 LBS	6'	W 5.0x3.0 3"x8"	4"	3"	3½"	39"	41"	
42"	52"	743 LBS	8'	W 5.0x3.0 3"x8"	5"	4"	2¼"	52"	52¼"	
48"	58"	838 LBS	8'	W 5.0x3.0 3"x8"	5"	4½"	4¾"	52"	52¼"	



SPECIFICATIONS

CONCRETE: DESIGN STRENGTH OF 4000 PSI AT 28 DAYS. UNIT IS OF MONOLITHIC CONSTRUCTION AND IS DESIGNED CONFORMING TO ASTM C-76 CLASS III, WALL B.

REINFORCEMENT: GRADE 60 REINFORCED. STEEL REBAR CONFORMING TO ASTM A185 ON REQUIRED CENTERS OR EQUAL.

© ParkUSA. ALL RIGHTS RESERVED.



REINFORCED CONCRETE PIPE
MODEL RCP - 12" THRU 48"

PM	PC	DRN	ENG	DWG. NO.	REV.
				RCP-1	A
DATE				2023	

PLOTTED ON 12/15/2023 2:17 PM BY Howerton, Chris. Y:\Parkdgs\Website 2023 - NEED TO GO\UTILITY FOLDER\RCP-1-2023