

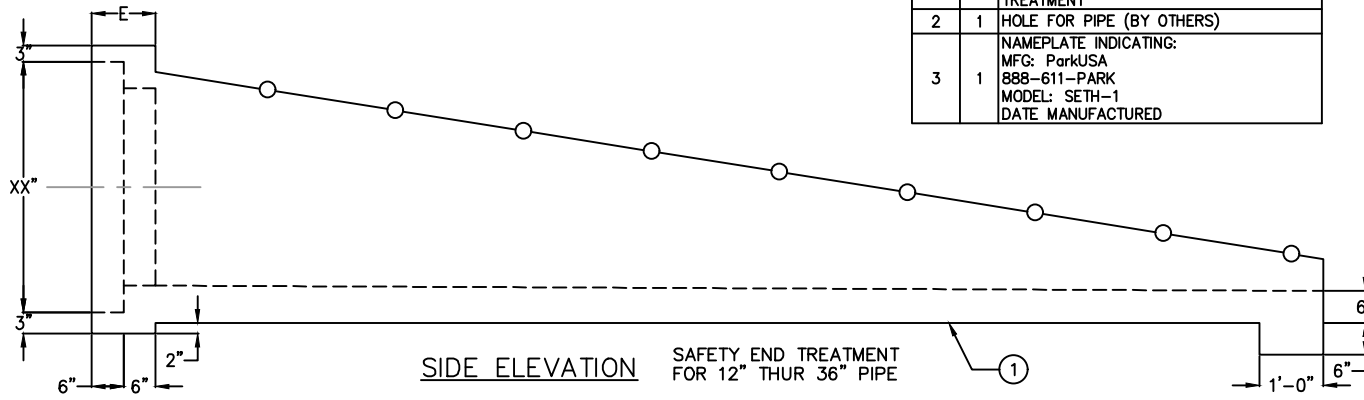
PLAN



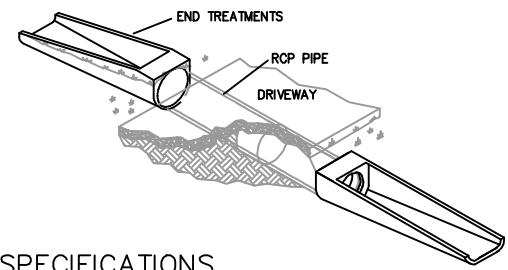
NAME PLATE

MODEL	D	SLOPE	W	L	T	E	WEIGHT
SETH-12-3	12"	3:1	1'-10"	3'-3"	5"	12"	1,680
SETH-12-4	12"	4:1	1'-10"	4'-4"	5"	12"	2,040
SETH-12-6	12"	6:1	1'-10"	8'-0"	5"	12"	2,760
SETH-15-3	15"	3:1	2'-1 1/2"	4'-0"	5"	12"	1,680
SETH-15-4	15"	4:1	2'-1 1/2"	5'-4"	5"	12"	2,040
SETH-15-6	15"	6:1	2'-1 1/2"	8'-0"	5"	12"	2,760
SETH-18-3	18"	3:1	2'-5 1/2"	4'-9"	5"	12"	2,120
SETH-18-4	18"	4:1	2'-5 1/2"	6'-4"	5"	12"	2,600
SETH-18-6	18"	6:1	2'-5 1/2"	9'-6"	5"	12"	3,560
SETH-24-3	24"	3:1	2'-11 1/2"	6'-3"	5"	12"	3,120
SETH-24-4	24"	4:1	2'-11 1/2"	8'-4"	5"	12"	3,880
SETH-24-6	24"	6:1	2'-11 1/2"	12'-6"	5"	12"	5,400
SETH-30-3	30"	3:1	3'-5 1/2"	7'-9"	5"	12"	4,280
SETH-30-4	30"	4:1	3'-5 1/2"	10'-4"	5"	12"	5,400
SETH-30-6	30"	6:1	3'-5 1/2"	15'-6"	5"	12"	7,600
SETH-36-3	36"	3:1	4'-3"	10'-0"	6"	12"	6,200
SETH-36-4	36"	4:1	4'-3"	12'-0"	6"	12"	9,040
SETH-36-6	36"	6:1	4'-3"	18'-3"	6"	12"	13,000

KEYED NOTES		
MARK	QTY	DESCRIPTION
1	1	PRECAST CONCRETE SAFETY END TREATMENT
2	1	HOLE FOR PIPE (BY OTHERS)
3	1	NAMEPLATE INDICATING: MFG: ParkUSA 888-611-PARK MODEL: SETH-1 DATE MANUFACTURED



SIDE ELEVATION SAFETY END TREATMENT FOR 12" THRU 36" PIPE

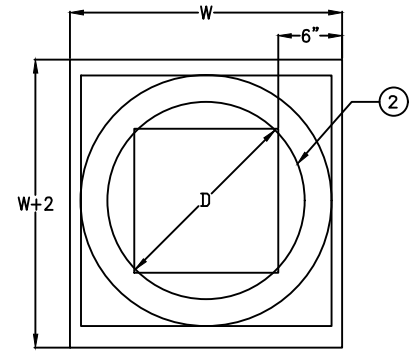


SPECIFICATIONS

CONCRETE: Class I/II concrete with of design strength of 4500 PSI at 28 days. Unit is of monolithic construction including walls & floor.

REINFORCEMENT: Grade 60 reinforced. No. 4 steel rebar to conform to ASTM A615 on required centers or equal.

- NOTES:
1. CLASS "C" CONCRETE
 2. 12" ARE MADE WITH 12" KNOCK OUT FOR SMALLER PIPE IN 15" SET MOLD
 3. 6" WALL IN 36" AS PER CHART
 4. REINFORCEMENT:
12"-24" #4 BARS @ 9" % GRADE 60
24"-36" #4 BARS @ 6" % GRADE 60



END VIEW
1" MINIMUM COVER ON ALL REINFORCEMENT



PARK USA
A Northwest Pipe Company

SAFETY END TREATMENT w/HARDWARE
MODEL SETH-1 - SIZES 12" THRU 36"

PM	PC	DRN	ENG	DWG. NO.	REV.
DATE	2023	SETH-1			A

CREATED ON 4/18/2024 BY ...
LAST MODIFIED ON 4/18/2024 1:59 PM BY ...

PLOTTED ON 4/18/2024 3:44 PM BY Vu, Kate, C:\Users\Vu\Desktop\view.pdf\SETH-1