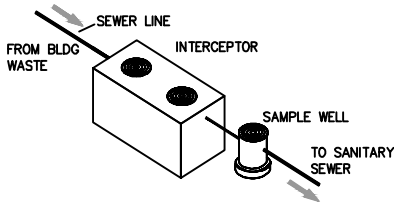
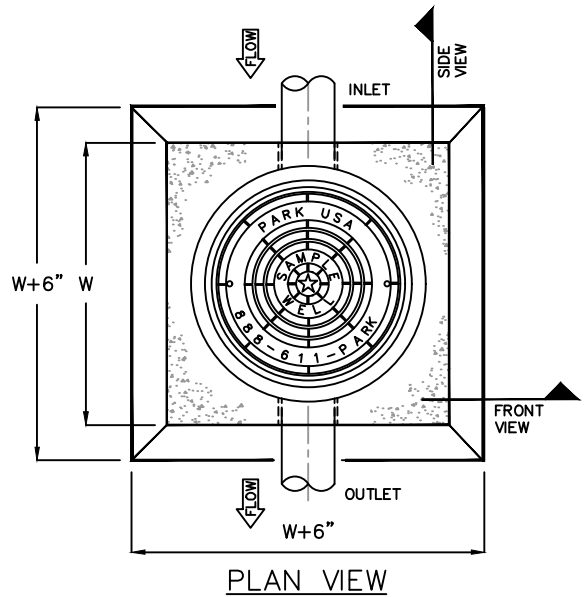


KEY NOTES		
MARK	QTY	DESCRIPTION
1	1	CONCRETE BASE
2	2	SCH 40 PVC SLEEVE (TYP)
3	-	JOINT SEALED W/ NON-SHRINK GROUT
4	1	RISER SECTION RCP PIPE
5	1	CAST IRON RING & COVER
6	-	CONCRETE EXTENSION RINGS AS REQUIRED
7	1	NAMEPLATE INDICATING: MFG: PARKUSA.COM 888-611-PARK MODEL: SWB2 DATE: MANUFACTURED



MODEL	DIAMETER "D"	IN & OUT PIPE SIZE	WIDTH "W"	"A"
SWB2-154	15"	4"	24"	11"
SWB2-156	15"	6"	24"	9"
SWB2-184	18"	4"	28"	11"
SWB2-186	18"	6"	28"	9"
SWB2-244	24"	4"	34"	11"
SWB2-246	24"	6"	34"	9"



NOTES

1. SAMPLING WELL MUST BE INSTALLED UNDER A SEPARATE PLUMBING PERMIT.
2. USE 15" T&G R.C.P. FOR INSTALLATION 6'-0" DEEP AND LESS.
3. USE 24" T&G R.C.P. FOR INSTALLATION GREATER THAN 6'-0" DEEP. (STD RING AND M.H. COVER REQUIRED).
4. SAMPLING WELL MUST BE SET IN A CIRCULAR OR SQUARE CONCRETE PAD (1'-0" GREATER THAN OUTSIDE DIAMETER OF PIPE).
5. INSIDE INSTALLATION NOT PERMITTED, WHERE OUTSIDE INSTALLATION IS POSSIBLE.
6. INSTALLATION INSIDE BLDG MUST BE POURED IN PLACE (15"MIN) NO CONCRETE PIPE IS PERMITTED, (AIR-TIGHT COVER REQUIRED).
7. LAWN INSTALLATION MUST BE 4" ABOVE FINISHED GRADE.
8. DRIVE & SIDEWALK INSTALLATION MUST BE BROUGHT TO FINISHED GRADE.
9. TO BE INSTALLED ON PRIVATE PROPERTY, IN AN ACCESSIBLE LOCATION TO CITY PERSONNEL.

SPECIFICATIONS

CONCRETE: Class I/II concrete with of design strength of 4500 PSI at 28 days. Unit is of monolithic construction at floor and first stage of wall with sectional riser to required depth.

C.I. CASTINGS: Cast iron frames and grates are manufactured of grey cast iron conforming to ASTM A48-76 Class 30, Heavy-Duty AASHTO H-20



**SAMPLE WELL BASIN
MODEL SWB2 - WITH UNEQUAL INVERTS**

PM	PC	DRN	ENG	DWG. NO.	REV.
				SWB2-WA	A
DATE				04/24	

LAST MODIFIED BY KVV ON 4/19/2024 10:28 AM; LAST PLOTTED ON 4/19/2024 10:26 AM BY VU, KATE; FILE NAME: SWB2-WA.DWG

© ParkUSA. ALL RIGHTS RESERVED.