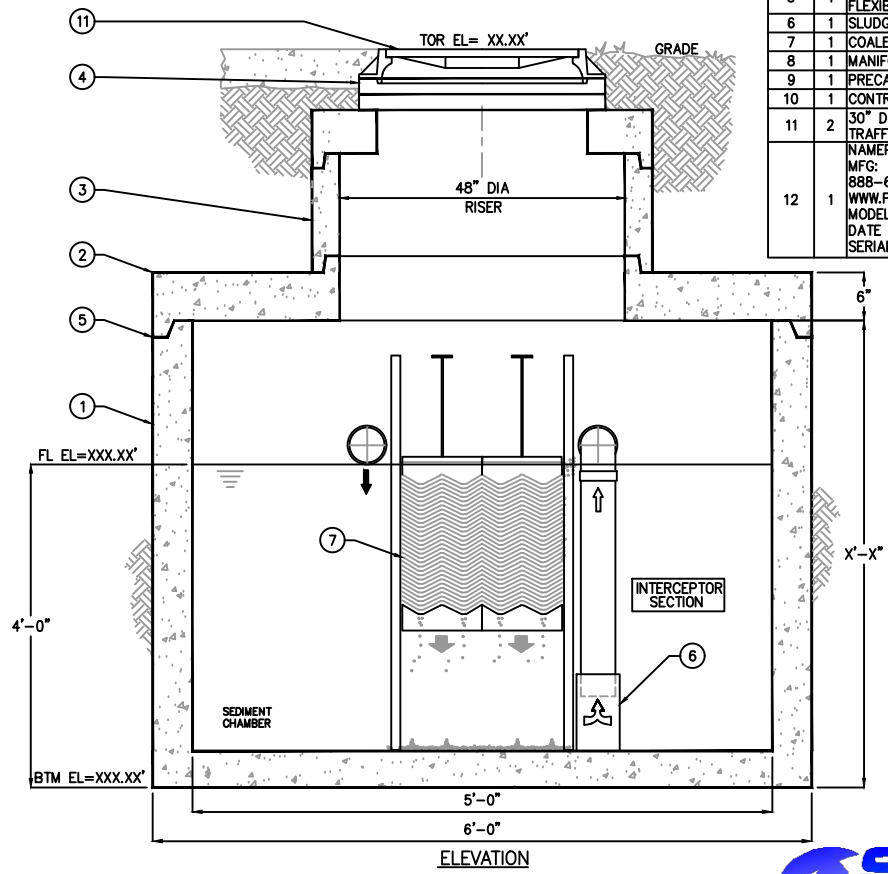
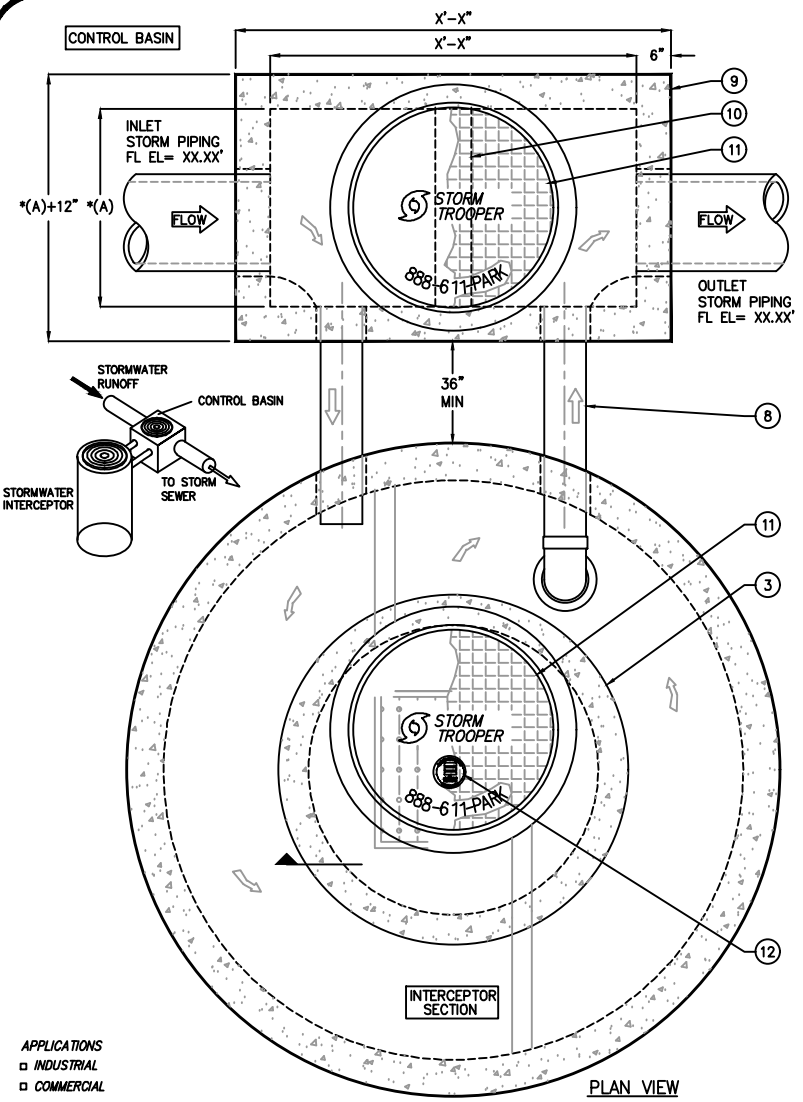




KEYED NOTES		
MARK	QTY	DESCRIPTION
1	1	PRECAST CONCRETE BOTTOM SECTION
2	1	PRECAST CONCRETE TOP
3	1	PRECAST CONCRETE EXTENSION AS REQ'D
4	1	CONCRETE EXTENSION RINGS TO GRADE
5	1	ALL JOINTS TO BE SEALED W/ PLASTIC FLEXIBLE GASKET
6	1	SLUDGE BAFFLE
7	1	COALESCING MEDIA PACK
8	1	MANIFOLD PIPING
9	1	PRECAST CONCRETE CONTROL MANHOLE
10	1	CONTROL MANHOLE DEBRIS SCREEN
11	2	30" DIA CAST IRON RING & COVER H20 TRAFFIC DUTY
12	1	NAMEPLATE INDICATING: MFG: ParkUSA 888-611-PARK WWW.PARKUSA.COM MODEL: STORMTROOPER SWST-10 DATE MANUFACTURED SERIAL # XXXXXX



MAX PIPE SIZE (IN)	CONTROL BASIN WIDTH A
30"	4'-0"
36"	5'-0"
48"	6'-0"
60"	7'-0"

* FOR PIPE SIZES OVER 24" USE THIS CHART

- APPLICATIONS**
- INDUSTRIAL
 - COMMERCIAL
 - RESIDENTIAL
 - INSTITUTIONAL
 - REDEVELOPMENT
 - NPDES - MUNICIPAL/INDUSTRIAL
 - BMP STRUCTURAL SOLUTION

General Information
PARK StormTrooper® Interceptor
 The StormTrooper stormwater interceptor is designed to receive & treat stormwater runoff on a gravity-flow and once-through basis.

Guaranteed Performance
 Pre-engineered coalescing media packs are utilized for enhanced separation which provide SUPERIOR performance compared to other separators which utilize baffles or diverters.

Applications
 The Park StormTrooper® Interceptor is designed for stormwater runoff from commercial & industrial applications where excessive pollutants may harm the environment or damage sewer systems.

By-Pass Design
 The control basin diverts stormwater during peak storm periods. The basin is not formed as part of the interceptor and is specified to be separated by at least 36". This allows for optimal interceptor sizing.

Maintenance
 The Park StormTrooper® Interceptor only requires minimal maintenance. Hydrocarbons and solids are removed from the stormwater via baffles and compartments. For extra-duty applications, the Coalescing Media Pack is recommended.

These pollutants are removed from the separator when serviced by a licensed vacuum truck operator.

Call Us
 Contact our Engineering Dept. for specific performance information.

MODEL NO.	TOTAL CAPACITY USGal	TREATMENT PERFORMANCE			
		FLOWRATE GPM	CFS	SOLIDS FT³	OIL USGal
SWST-05C	500	300	0.67	40	290
SWST-06C	600	400	0.89	60	290
SWST-08C	800	500	1.11	80	290
SWST-10C	1,000	650	1.45	100	290
SWST-15C	1,500	875	1.95	150	425
SWST-20C	2,000	1,125	2.51	200	750
SWST-25C	2,500	1,375	3.06	250	750
SWST-30C	3,000	1,600	3.56	275	1,175
SWST-35C	3,500	1,775	3.95	350	1,175
SWST-40C	4,000	1,950	4.34	400	1,175
SWST-45C	4,500	2,150	4.79	475	1,175
SWST-50C	5,000	2,350	5.23	550	1,175
SWST-60C	6,000	2,675	5.96	675	1,175

OTHER SIZES & CONFIGURATIONS ARE AVAILABLE



STORMWATER INTERCEPTOR
STORMTROOPER MODEL SWST - 05C THRU 60C

PM	PC	DRN	ENG	DWG. NO.	REV.
				SWST-1C	A
DATE	2023				

CREATED ON 5/9/2023 BY: LAST MODIFIED ON 5/9/2023 8:21 AM BY: chowerton

PLOTTED ON 5/9/2023 8:22 AM BY: howerton, Chris, Y: ParkUSA\Website 2022 - NEED TO QC STORMTROOPER Worked on SWST-10