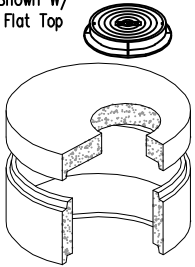
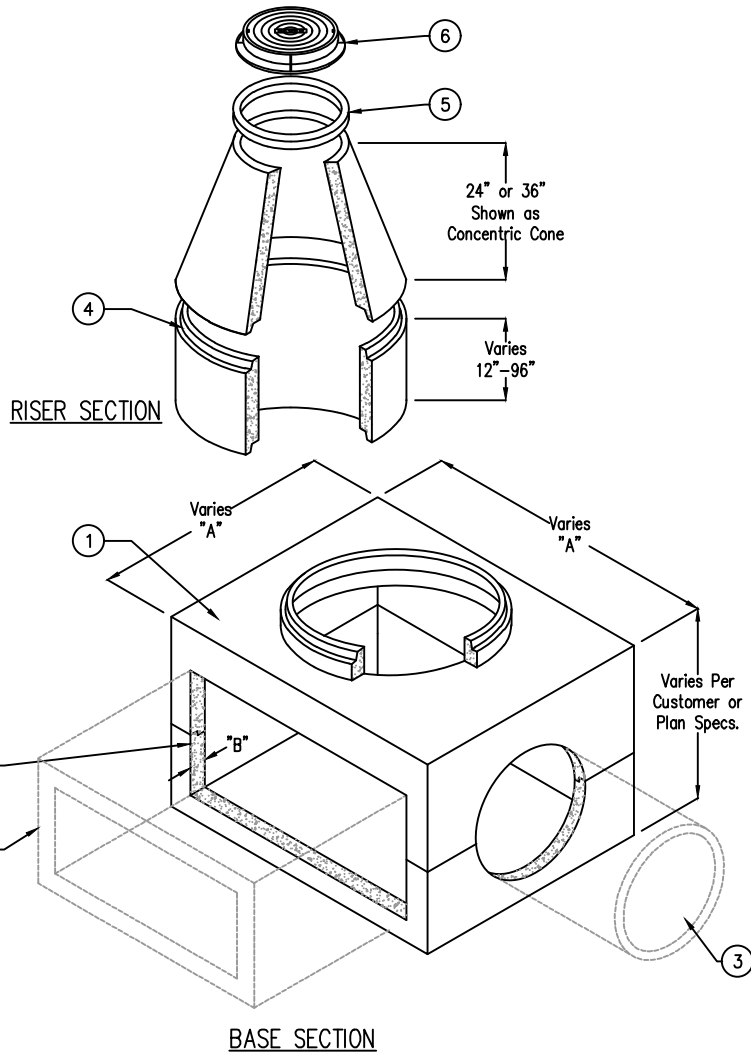
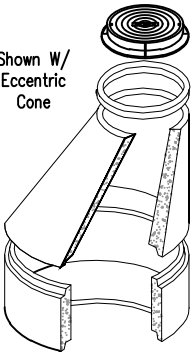


Shown W/
Flat Top



Shown W/
Eccentric
Cone



DIMENSIONS					
I.D. Size	O.D. Dim "A"	"B" (in)	Top/Bot. Thickness (in)	Largest RCP Allowed (No Angle, Straight In)	Largest Box Culvert Allowed (No Angle, Straight In)
4' x 4'	5' x 5'	6"	6"	36"	3' x 3'
5' x 5'	6' x 6'	6"	6"	48"	4' x 4'
6' x 6'	7'-4" x 7'-4"	8"	8"	54"	4' x 4'
7' x 7'	8'-4" x 8'-4"	8"	8"	66"	5' x 5'
8' x 8'	9'-4" x 9'-4"	8"	8"	78"	6' x 6'
9' x 9'	10'-4" x 10'-4"	8"	8"	84"	7' x 7'
10' x 10'	11'-4" x 11'-4"	8"	12"	96"	8' x 8'

PARK MODEL NO.
TXX-XX-X-XXXX-XX

Type of Structure

- JB - Junction Box
- MH - Manhole

Base Section Size

- 4 - 4'
- 5 - 5'
- 6 - 6'
- 7 - 7'
- 8 - 8'

Riser Section Size

- 1 - 1'
- 2 - 2'
- 3 - 3'
- 4 - 4'

Size of R/C or R/G (Dia.)

- 01 - 24"
- 02 - 32"
- 03 - 30"
- 04 - 36"
- 05 - 42"
- 06 - 48"
- 07 - Other

Casting Type

- DI - Ductile Iron
- CI - Cast Iron

Casting Style

- RC - Ring & Cover
- RG - Ring & Grate
- DG - Dome Grate

KEYED NOTES

MARK	QTY	DESCRIPTION
1	1	TRANSITIONAL MANHOLE BASIN SECTION
2	-	BLOCKOUT TYPE, SIZE, AND LOCATION WILL VARY PER CUSTOMER AND/OR PLAN SPECIFICATIONS
3	-	RCP / RBC PIPING BY OTHERS
4	-	RAMNEK JOINT
5	-	GRADE RINGS AS REQ'D
6	1	24" OR 32" CAST IRON RING & COVER AS REQ'D

© ParkUSA. ALL RIGHTS RESERVED.

SPECIFICATION

- CONCRETE: DESIGN STRENGTH OF 4500 PSI AT 28 DAYS. UNIT IS OF MONOLITHIC CONSTRUCTION AT FLOOR, FIRST STAGE OF WALL AND BAFFLE WITH SECTIONAL RISER TO REQUIRED DEPTH. RATED FOR H-20 LOADING.
- REINFORCEMENT: GRADE 60 REINFORCED NO. 4 STEEL REBAR TO CONFORM TO ASTM A615 ON REQUIRED CENTERS OR EQUAL.
- C.I. CASTINGS: CASTINGS CONFORM TO ASTM A48 CLASS 30 FIELD EXCAVATION AND PREPARATION SHALL BE COMPLETED PRIOR TO DELIVERY OF ASSEMBLY. USE DIMENSIONAL DATA AS SHOWN.



TRANSITIONAL MANHOLE
STORM WATER JUNCTION BOX

PM	PC	DRN	ENG	DWG. NO.	REV.
.	.	.	.	TMH-1	A
DATE				2023	