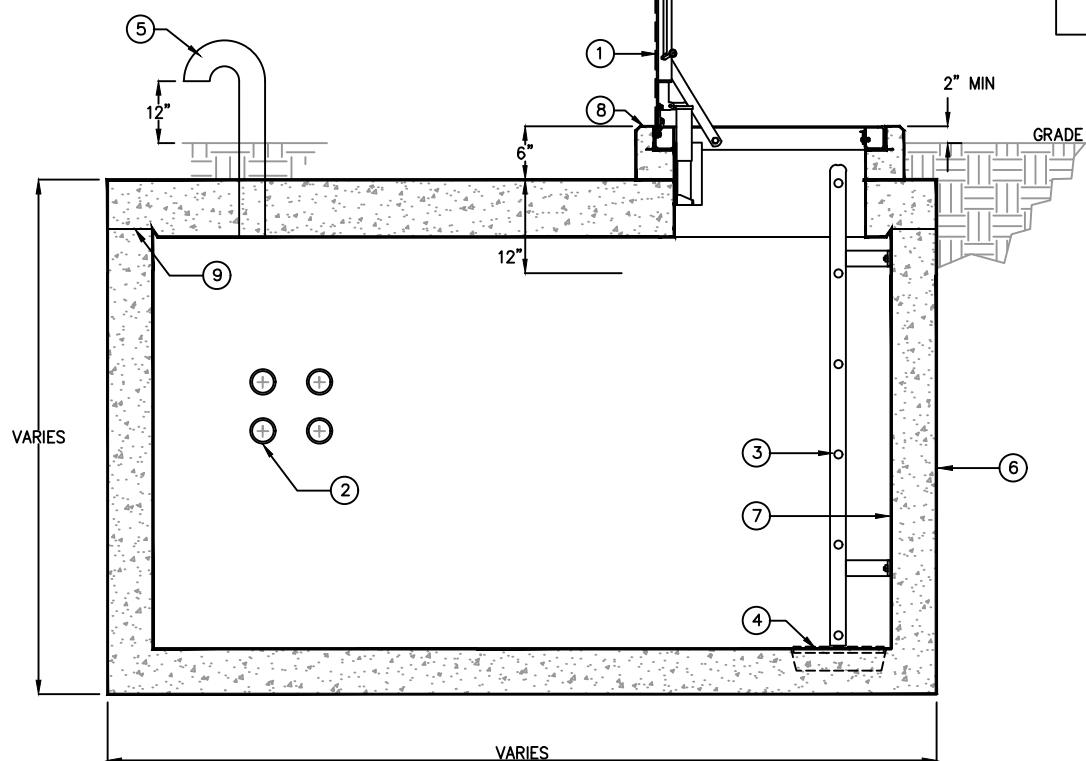


PLAN VIEW

KEYED NOTES		
MARK	QTY	DESCRIPTION
1	1	ALUMINUM HATCHWAY WATER-TIGHT W/ LOCKING HASP, SPRINGS, & LOCKING ARM. PARK MODEL [PEDESTRIAN OR TRAFFIC DUTY]
2	4	ELECTRICAL TERMINATOR SLEEVES IN SIDE WALL QUANTITY & LOCATIONS AS REQUIRED.
3	1	OSHA APPR. ALUMINUM LADDER
4	1	12"x12"x3" DEEP SUMP
5	1	4" GALV. STEEL VENT w/ SCREEN
6	1	VAULT EXTERIOR TO BE COATED W/ 2 COATS OF BITUMASTIC VAPOR BARRIER
7	1	PRECAST CONCRETE ELECTRICAL VAULT
8	1	CONCRETE EXTENSION AS REQUIRED
9	1	ALL JOINTS TO MADE WATERPROOF WITH PLASTIC FLEXIBLE GASKET
10	1	NAMEPLATE MFG: PARKUSA 888-611-PARK WWW.PARKUSA.COM MODEL: VLT-EL



ELEVATION

SPECIFICATIONS

CONCRETE: CLASS I/II CONCRETE WITH DESIGN STRENGTH OF 4500 PSI AT 28 DAYS. UNIT IS OF MONOLITHIC CONSTRUCTION AT FLOOR AND FIRST STAGE OF WALL WITH SECTIONAL RISER TO REQUIRED DEPTH. GROSS EMPTY WEIGHT OF APPROXIMATELY 20,000 POUNDS.

REINFORCEMENT: GRADE 60 REINFORCED WITH STEEL REBAR CONFORMING TO ASTM A615 ON REQUIRED CENTERS OR EQUAL.

ENGINEERING DATA

MANUFACTURER TO PROVIDE STRUCTURAL & BUOYANCY CERTIFICATION BY A LICENSED ENGINEER. FIELD EXCAVATION AND PREPARATION SHALL BE COMPLETED PRIOR TO DELIVERY OF VAULT. (COORDINATE WITH PARK EQUIPMENT COMPANY)



© ParkUSA. ALL RIGHTS RESERVED.



**PRECAST CONCRETE ELECTRICAL VAULT
MODEL VLT-EL**

PM	PC	DRN	ENG	DWG. NO.	REV.
				VLT-EL	A
DATE				2023	

PLOTTED ON 12/15/2023 11:08 AM BY Howerton, Chris, V:\Partidings\Website 2022 - NEED TO GO\UTILITY VAULT-VLT-EL