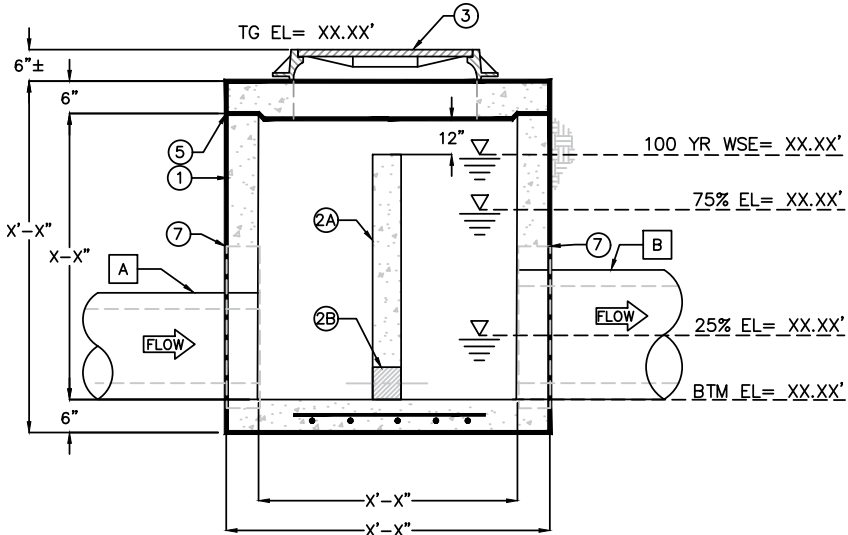
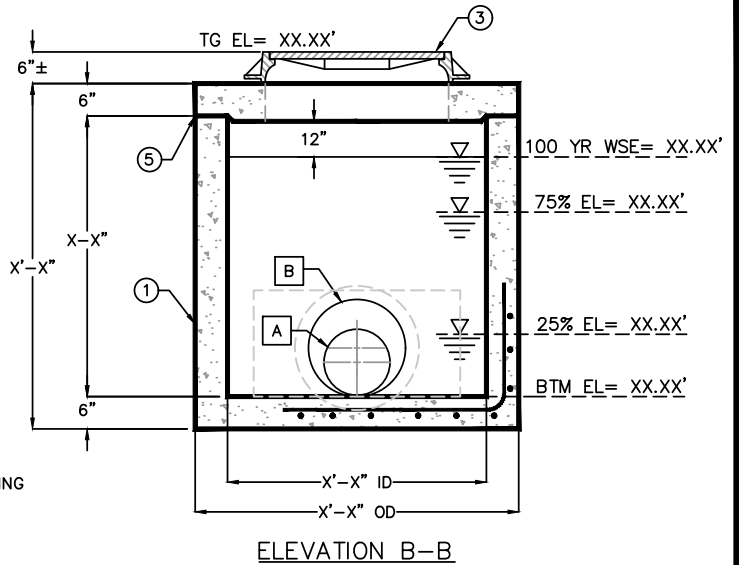


PLAN VIEW



KEYED NOTES			
MARK	QTY	DESCRIPTION	PART #
1	1	X'-X" x X'-X" x X'-X" PRECAST CONCRETE VAULT W/ 6" THK LID	
2A	1	X'-X" x 6" x X'-X" CONCRETE WEIR w/ (1) X" ORIFICE	
2B	1	LOW LEVEL ØX" ORIFICE, EL=XX.XX'	
2C	-	NOT USED	
3	1	32"Ø CAST IRON ACCESS MANHOLE COVER (LOOSE)	
4	-	NOT USED	
5	-	JOINTS SEALED WITH FLEXIBLE RUBBER GASKET	
6	1	NAMEPLATE INDICATING MFG: PARKUSA 888-611-PARK WWW.PARKUSA.COM MODEL: WBS	
7	2	HOLES FOR RCP PIPE, SEALED W/NON-SHRINK GROUT (BY OTHERS)	

PIPE NOTES	
PIPE	DESCRIPTION
A	XX" RCP w/ XX" DIA HOLE INLET FL= XX.XX'
B	XX" RCP w/ XX" DIA HOLE OUTLET FL= XX.XX'

**SPECIFICATIONS**

- CONCRETE :** CLASS I/II CONCRETE WITH OF DESIGN STRENGTH OF 4500 PSI AT 28 DAYS. UNIT IS OF MONOLITHIC CONSTRUCTION INCLUDING WALLS AND FLOOR.
- REINFORCEMENT:** GRADE 60 REINFORCED. NO. 4 STEEL REBAR TO CONFORM TO ASTM A615 ON REQUIRED CENTERS OR EQUAL. BAR BENDING AND PLACEMENT SHALL WITH THE LATEST ACI STANDARDS.
- CI CASTINGS:** CAST IRON FRAMES AND GRATES ARE MANUFACTURED OF GREY CAST IRON CONFORMING TO ASTM A48-76 CLASS 30.

© ParkUSA. ALL RIGHTS RESERVED.



**WEIR STRUCTURE w/ PIPE CONNECTIONS  
MODEL WBS**

PM	PC	DRN	ENG	DWG. NO.	REV.
.	.	.	.	WBS-1	A
DATE					

PLOTTED ON 1/4/2024 2:25 PM BY Jennings, Jonathan, Y:\Parkusa\Website 2023\WEIR\WBS-1