

PLAN VIEW

**SPECIFICATIONS**

**CONCRETE :** CLASS 1/II CONCRETE WITH DESIGN STRENGTH OF 4500 PSI AT 28 DAYS. UNIT IS OF MONOLITHIC CONSTRUCTION AT FLOOR AND FIRST STAGE OF WALL WITH SECTIONAL RISER TO REQUIRED DEPTH.

**REINFORCEMENT:** GRADE 60 REINFORCED WITH STEEL REBAR CONFORMING TO ASTM A615 ON REQUIRED CENTERS OR EQUAL.

**MATERIALS:** CAST IRON FRAMES AND GRATES ARE MANUFACTURED OF GREY CAST IRON CONFORMING TO ASTM A48-76 CLASS 35.

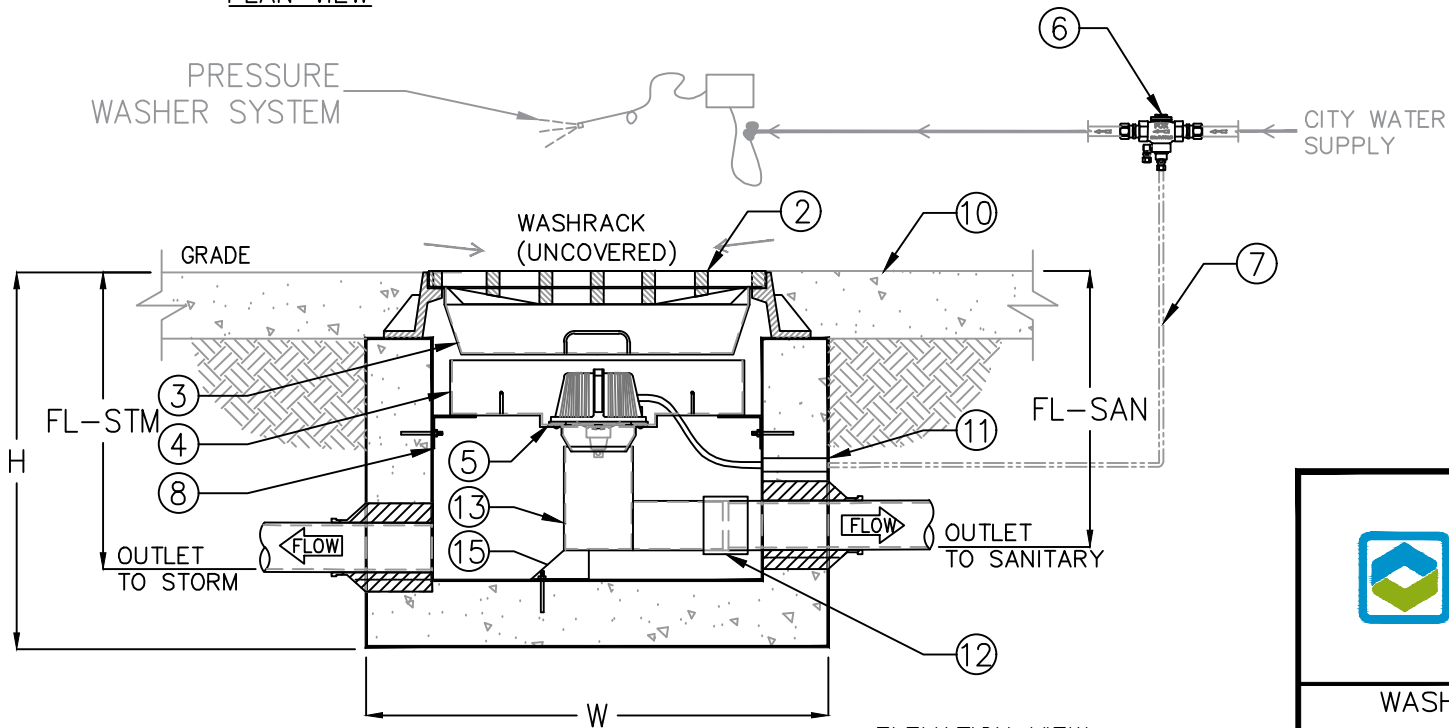
**ENGINEERING DATA**

UNIT SHALL BE STRUCTURALLY AND HYDRAULICALLY ENGINEERED CONFORMING TO UPC AND ACI BUILDING CODES. MANUFACTURER SHALL ENSURE VAULT ASSEMBLY DESIGN ACCOUNTS FOR PREVENTION OF BUOYANCY EFFECT.

FIELD EXCAVATION AND PREPARATION SHALL BE COMPLETED PRIOR TO DELIVERY OF UNIT. USE DIMENSIONAL DATA AS SHOWN.

		KEYED NOTES
MRK	QTY	DESCRIPTION
1	1	TYPE-A 30"x30" INLET BASIN
2	1	30"x30" TYPE-A CAST IRON FRAME & GRATE
3	1	SOLIDS SCREEN BASKET
4	1	DIVERSION VALVE TRAY
5	1	HYDRAULIC DIVERSION VALVE
6	1	DEMAND VALVE
7	1	1/2" DRIVE LINE (BY OTHERS)
8	4	4"x4" ANGLE FRAME
9	-	NOT USED
10	1	CONCRETE APRON (BY OTHERS)
11	1	1/2" FULL COUPLING CONNECTION FOR DRIVE LINE
12	1	4" DIA FLEXIBLE CONNECTION
13	1	SS304 PIPE REDUCER
14	2	RESILIENT RUBBER BOOT
15	1	PIPE REDUCER SUPPORT BRACKETS
16	1	NAMEPLATE INDICATING: PROJECT NAME MODEL: WDDV-1 ORDER: MFG DATE MFG BY 888-611-PARK WWW.PARKUSA.COM

PRESSURE WASHER SYSTEM



ELEVATION VIEW

© ParkUSA. ALL RIGHTS RESERVED.



WASH DOWN DIVERTER VALVE  
MODEL WDDV-1

PM	PC	DRN	ENG	DWG. NO.	REV.
.	.	.	.	WDDV-1	A
DATE					