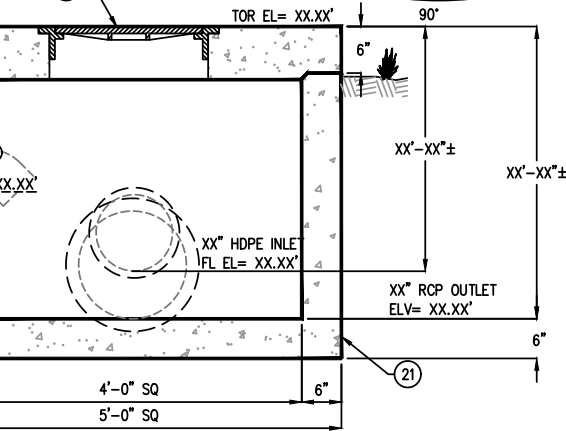
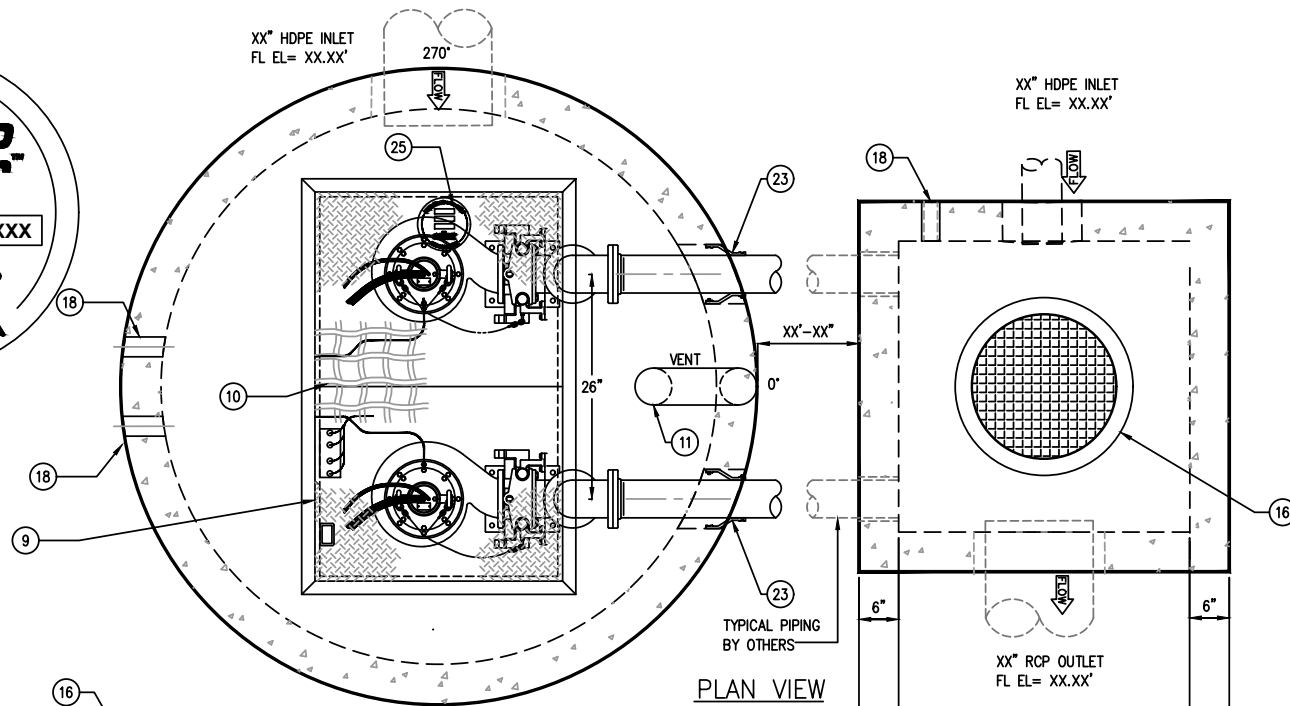
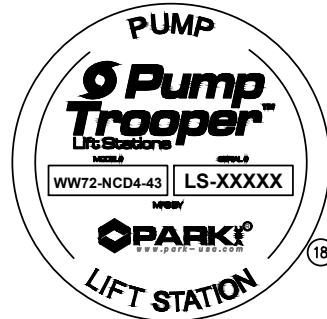


STATION OPERATION LEVELS		
RISING LEVEL CYCLE		
WATER LEVEL ELEVATION	ACTION	PUMPS IN OPERATION
XX.XX'	PUMP TURNS "ON", FS-2	PUMP "ON" ALTERNATING STARTS
XX.XX'	HIGH LEVEL ALARM , FS-3	PUMP "ON", ALARM "ON"
XX.XX'	HIGH WATER IN DITCH FS-4	PUMP "OFF" RISING
FALLING LEVEL CYCLE		
XX.XX'	HIGH WATER IN DITCH FS-5	PUMP "ON" FALLING
XX.XX'	HIGH LEVEL ALARM "OFF", FS-3	PUMP "ON", ALARM "OFF"
XX.XX'	PUMPS "OFF" LEVEL, FS-1	PUMP "OFF" PUMP 1 SWITCHES TO PUMP 2

SYSTEM DESIGNED TO RUN 1 PUMP AT A TIME (ALTERNATING STARTS)



DRAWING NOT FOR SUBMITTAL.
CONTACT PARKUSA FOR LIFT
STATION DESIGN ASSISTANCE.

- MODEL NUMBER: ParkUSA
888-611-PARK, www.PARKUSA.com
WW72-NCD4-448-10.6-020-03
- WET WELL SIZE (ID)
 - 72 - 72" DIA
 - 96 - 96" DIA
 - PUMP CONFIGURATION
 - S - SIMPLEX
 - D - DUPLEX
 - PUMP DISCHARGE SIZE
 - 3 - 3"
 - 4 - 4"
 - 6 - 6"
 - 8 - 8"
 - FLOW RATE CAPACITY (GPM)
 - 100 - 100 GPM
 - 200 - 200 GPM
 - ETC...
 - POWER CHARACTERISTICS
 - 43 - 460V/3PH/60Hz
 - 23 - 230V/3PH/60Hz
 - 03 - 208V/3PH/60Hz
 - PUMP MOTOR SIZE
 - 050 - 5.0 HP
 - 075 - 7.5 HP
 - 100 - 10.0 HP
 - 150 - 15.0 HP
 - 200 - 20.0 HP
 - PUMP HEAD CAPACITY (TDH)
 - 10 - 10' TOTAL DYNAMIC HEAD
 - 20 - 20' TOTAL DYNAMIC HEAD
 - ETC...

KEYED NOTES		
MARK	QTY	DESCRIPTION
1	2	4" SUBMERSIBLE PUMP
2	2	4" BASE ELBOWS
3	2	SS STEEL CHAINS
4	1	DUPLEX CONTROL PANEL NEMA 4X W/ GENERATOR RECEPTACLE
5	3	FLOAT SWITCH
6	1	SS CABLE BRACKET
7	1	72" DIA x XX'-XX" DEEP CONCRETE WET WELL
8	1	6" THK FLAT CONCRETE TOP
9	1	36"x48" DOUBLE LEAF ALUMINUM HATCHWAY
10	1	SAFETY NET
11	1	4" GALVANIZED VENT
12	2	4" FL x PE DUCTILE IRON PIPE
13	2	4" DI 90° ELBOW FL x MJ w/ STAR GRIPS
14	2	SS UPPER GUIDE BRACKETS
15	2	4" HDL BALL CHECK VALVE
16	2	32" RING & COVER
17	4	SS GUIDE RAILS
18	3	3" CONDUIT
19	-	REBAR AS REQ'D
20	2	LIFT-OUT ASSEMBLY
21	1	48" x 48" x XX'-XX" DEEP PRECAST CONCRETE DISCHARGE STRUCTURE
22	1	6" THK FLAT CONCRETE VAULT TOP
23	2	RESILIENT RUBBER BOOT
24	-	ALL JOINTS MADE WATER-TIGHT w/ PLASTIC FLEXIBLE GASKET (RAM-NEK)
25	1	NAMEPLATE INDICATING: MFG: PARKUSA 888-611-PARK WWW.PARKUSA.COM MODEL: WW72-NCD4-448-10.6-020-03 DATE MANUFACTURED
26	1	HIGH WATER DITCH FLOAT (BY OTHERS)

NOTE:
ALL DASHED PIPING TO BE
FURNISHED BY CONTRACTOR

NOTE:
VERIFY ALL ELEVATIONS
PRIOR TO FABRICATION

NOTE:
VERIFY ALL INLET/OUTLET
ORIENTATIONS PRIOR TO
FABRICATION

SPECIFICATION
CONCRETE:
CLASS 1/II CONCRETE WITH DESIGN STRENGTH OF 4500 PSI AT 28 DAYS. UNIT IS OF MONOLITHIC CONSTRUCTION AT FLOOR, FIRST STAGE OF WALL AND BAFFLE WITH SECTIONAL RISER TO REQUIRED DEPTH.

REINFORCEMENT:
GRADE 60 REINFORCED WITH STEEL REBAR CONFORMING TO ASTM A615 ON REQUIRED CENTERS OR EQUAL.

ALUMINUM HATCH:
300 PSF RATED, 1/4" ALUMINUM SKID-RESISTANT FLOOR PLATE, STAINLESS STEEL TAMPERPROOF BOLTING, HINGES & SLAMLOCK. (H=20 RATING OPTIONAL)

PUMPS:
PUMPS SHALL BE CENTRIFUGAL TYPE WITH INTEGRAL NON CLOG UNIT AND SUBMERSIBLE TYPE MOTOR. PUMPS SHALL HAVE A CAPACITY AS FOLLOWS:

PUMP No.	TYPE	GPM	TDH	RPM	HP	ELECTRICAL	
						V	PH
P-1	NON CLOG	448	10.6'	1750	2	208	3
P-2	NON CLOG	448	10.6'	1750	2	208	3

CONTROLS:
PUMP CONTROLS SHALL BE MOUNTED INSIDE A UL LISTED NEMA-4X ENCLOSURE AND INCLUDE CIRCUIT BREAKERS, ALARM CIRCUIT FUSE, IEC RATED MOTOR STARTER, PUMP HOA, AND ALTERNATOR RELAY. PANEL SHALL HAVE A VISUAL ALARM BEACON. PANEL IS DESIGNED FOR REMOTE MOUNTING.

ENGINEERING DATA
FIELD EXCAVATION AND PREPARATION SHALL BE COMPLETED PRIOR TO DELIVERY OF ASSEMBLY. USE DIMENSIONAL DATA AS SHOWN. ALL PIPE, VALVES AND FITTINGS OF THE ASSEMBLY ARE APPROVED BY ONE OF THE FOLLOWING ASSOCIATIONS:



© ParkUSA. ALL RIGHTS RESERVED.

A	REV	DATE	BY	DESCRIPTION

PROJECT: .
CUSTOMER: .
ENGINEER: .
ORDER #: . PROJ #: .
DATE: . LOCATION: .

**STORM SEWER LIFT STATION
SUBMERSIBLE NON-CLOG PUMP STATION**

PM	PC	DRN	ENG	DWG. NO.	REV.
				WW72-NCD4-43	A
DATE 10/22					

CREATED ON 10/15/2022 BY JENNINGS
LAST MODIFIED ON 10/15/2022 12:49 PM BY JENNINGS

PLOTTED ON 10/15/2022 2:31 PM BY Jennings, Jonathan, Y:\Parkdgs\US - LIFT STATIONS\WEBSITE\2022\WW72-NCD4-43 with DISCHARGE STATION